

10 Watt Horn Loudspeaker produced in plastic.

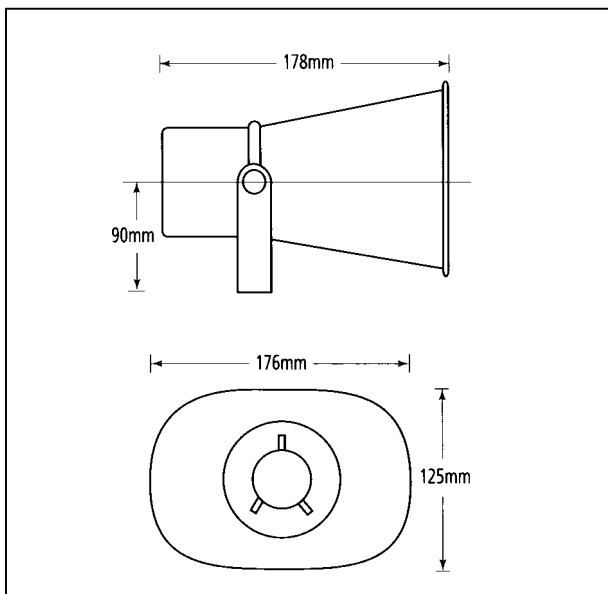
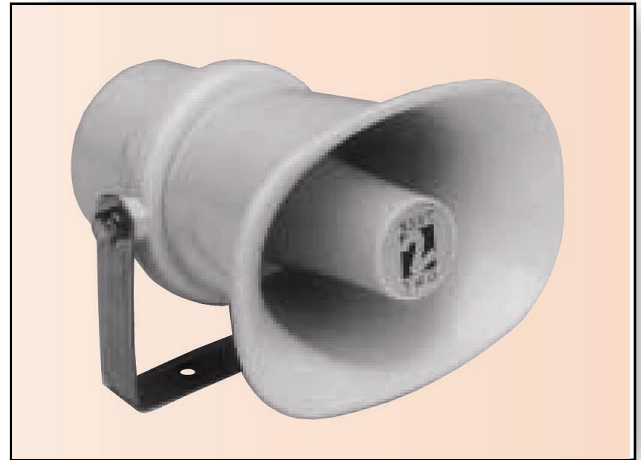
A 10 watt, weatherproof horn loudspeaker produced in ABS plastic with protection degree IP66.

Delivered complete with stainless mounting bracket.

This light weight loudspeaker is very robust and gives a clear voice and a directional sound-reverberation.

The loudspeaker has a switch in the rear to adjust loudspeaker tapping, using a small screwdriver.

This loudspeaker is ideal for usage in industrial applications as well as outdoor mounting.
Not suited for music.



Technical specifications

Type	Light grey plastic
Connections	50 cm cable end
Dimensions	176x125 L=178
Weight incl. transformer	1,2 kg
Max. output	10w
Tapping (10V transformer)	1,5w - 3w - 5w - 10w
Effective frequency range	315 - 12.500 Hz
Sound pressure (SPL) 1w/m	105 dB
SPL w/max. output (1m)	115 dB
Distribution at 1000 Hz	100°
Max. - min. temperature	- 20°C / + 65°C
IP degree	66
Misc. information	Mounting bracket included

Autronica Fire and Security AS

Fire and Security, Trondheim, Norway. Phone: + 47 73 58 25 00, fax: + 47 73 58 25 01.

Oil & Gas, Stavanger, Norway. Phone: + 47 51 84 09 00, fax: + 47 51 84 09 99.

Autronica Industrial Ltd., Watford, United Kingdom. Phone: 1923 23 37 68, fax: 1923 22 55 77.

Visit Autronica Fire and Security's Web site: www.autronicafire.com
