

Features

- Configurable functions and priorities
- Function buttons for starting/ stopping the pre-recorded messages
- Configurable zone selection buttons to control the Fireman's Microphone
- Signalling LEDs for all function buttons and zone selection buttons
- Wall or flush mounting, rack mounting in 19" cabinet

Principle

The BR-210 is an Operator Panel for The Auto-Voice BR-200 voice alarm system, and is fully configurable when it comes to functions and priorities. It has function buttons for starting the following pre-recorded messages:

"Evacuation"

"All Clear"

"System Test"

There is also a "Reset" button that stops these messages. The LEDs will signal the active functions.

The panel is equipped with a Fireman's Microphone. This also has configurable priority, but will normally have the highest priority in the system. It will therefore always break through, during an alarm as well, to give direct messages. The zone selection buttons on the panel make it possible to broadcast messages in separate parts of the building. The zone selection buttons are individually configurable, and may cover one or several loudspeaker zones. The "All zones" button makes it possible to efficiently select all loudspeaker zones. Activated buttons are indicated with LEDs.

The panel is furthermore equipped with a physical lock that can be opened by means of a Fireman's Key.



Versions

BR-210/01: 14 loudspeaker zones

BR-210/02: 6 loudspeaker zones

BR-210 Operator's Panel

Technical Specifications

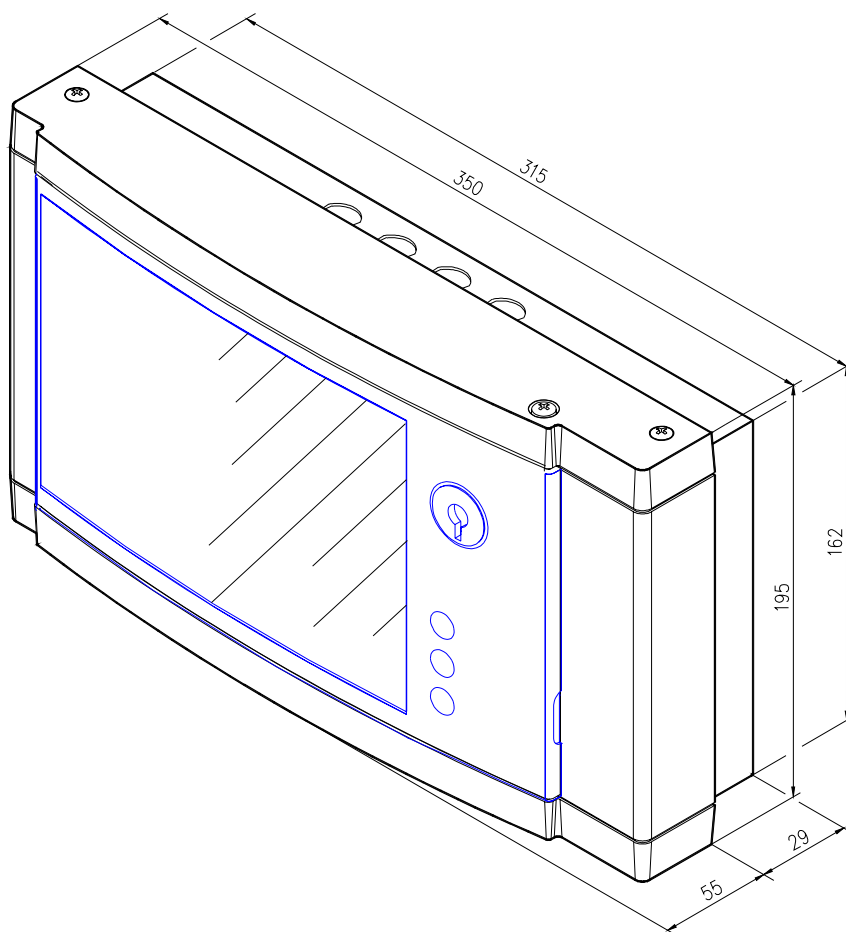
Distance between the operation panel and the rack unit	Max. 750 metres
Cable between the operator panel and PA rack	BRG-GZ928
Fireman's Microphone	Swan-neck version, configurable priority

System LEDs

Green	System is ready
Yellow	System is in use, but may be overridden by the panel
Red	System is busy or faulty, and may not be overridden

Order no.	Description
BR-210/01.1	Operator panel for BR-200 with 14 loudspeaker zones
BR-210/02.1	Operator panel for BR-200 with 6 loudspeaker zones

Dimensions



Autronica Fire and Security AS
Fire and Security, Trondheim, Norway. Phone: + 47 73 58 25 00, fax: + 47 73 58 25 01
Oil & Gas, Stavanger, Norway. Phone: + 47 51 84 09 00, fax: + 47 51 84 09 99

Visit Autronica Fire and Security's Web site: www.autronicafire.com