

AutoVoice BR-200 Output module for speaker lines

System components

APS-62 / APS-64

4-channel technology and I²C BUS-logic.

For optimum control of the individual speaker zones/groups for individual adjustment of volume.

Optional internal and/or external volume control for individual calls, group calls, general calls, alarms, music etc., depending on AutoVoice BR-200 programming.

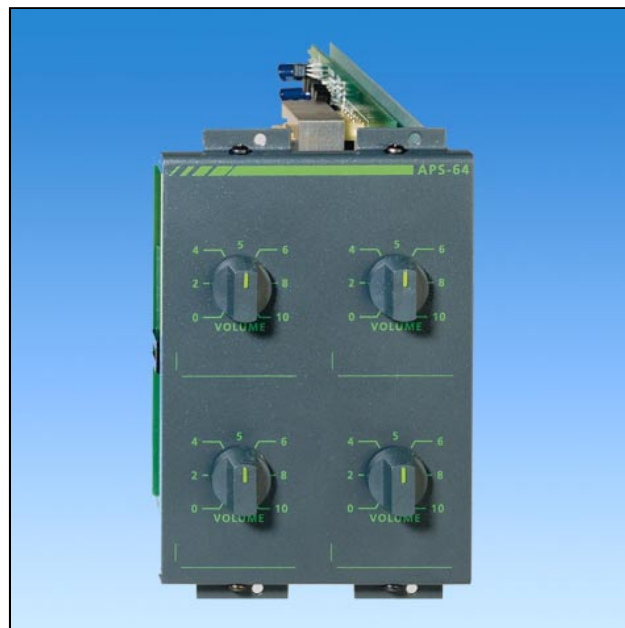
Can be expanded with more APS-62 and APS-64 modules as required.

APS-62 - Output module for 2 speaker lines, 100V.

- For optimum control of volume to 2 speaker zones for individual adjustment of volume in each zone as required.
- Module with 2 step switches, each with 10 positions and OFF.
- Optional internal and /or external volume control for call/chime/alarm, etc., depending on programming.
- RWS-62 connection module accessory with 6-phase plug-in terminal board (speaker lines, external volume control), together with additional 4-phase plug-in terminal board for extra APS-62 and APS-64 modules.
- Operating keys may be removed (using pliers) as required. Unit is then operated using a screwdriver (to avoid changing settings accidentally).

APS-64 - Output module for 4 speaker lines, 100V.

- As APS-62, for optimum control of volume to 4 speaker zones for individual adjustment of volume in each zone.



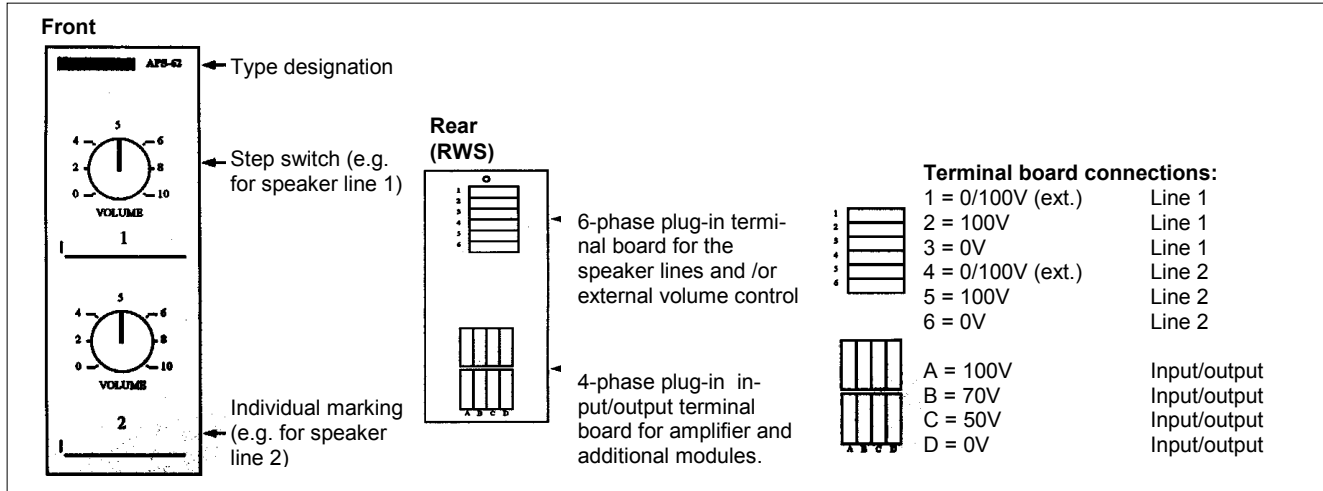
Technical specification

APS-62	
Max. capacity per module	150W
Control	2 step switches, each with 11 positions (10 volume stages and OFF) for speaker lines/groups/zones, 100V.
Relay	2 relays for input/output to 2 lines - 1 relay for bypassing the internal controls and 1 relay for bypassing external adjustment.
Programming	Functions are programmed in APS-99
Max. effect to the integrated automatic transformer	150W (sum of the sinus effects to both lines)
APS-64	
Max. capacity per module	150W
Control	4 step switches, each with 11 positions (10 volume stages and OFF) for speaker lines/groups/zones, 100V
Relay	4 relays for input/output to 4 lines - 2 relays for bypassing the 4 internal controls and 2 relays for bypassing external adjustment.
Programming	Functions are programmed in APS-99
Max. effect to the integrated automatic transformer	150W (sum of the sinus effects of all 4 lines)

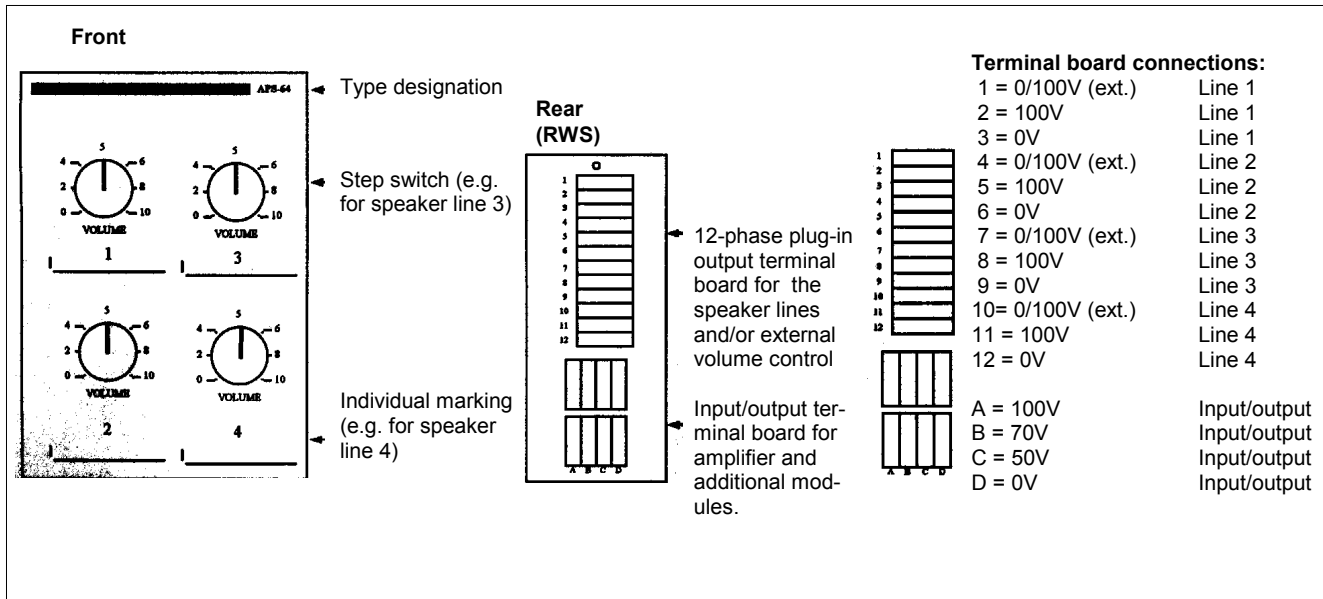


Article number	Description
BRG-APS62	Output module for 2 speaker lines, 100V
BRG-APS64	Output module for 4 speaker lines, 100V

APS-62



APS-64



Autronica Fire and Security AS

Fire and Security, Trondheim, Norway. Phone: + 47 73 58 25 00, fax: + 47 73 58 25 01.

Oil & Gas, Stavanger, Norway. Phone: + 47 51 84 09 00, fax: + 47 51 84 09 49.

Autronica Industrial Ltd., Watford, United Kingdom. Phone: 1923 23 37 68, fax: 1923 22 55 77.

www.autronicafire.no

