

Communication module - BSL-310

AutoSafe interactive fire detection system
Product datasheet

Features

- Interface for internal communication between all I/O modules
- Easily plugged onto each other or onto other I/O modules on a standard mounting rail
- Automatic addressing
- Designed to meet EN 54 requirements and conforms to CE standards

Description

The communication module BSL-310 serves as an interface for the common internal communication line between all the different I/O modules.

The module provides the following:

- RS-232 interface with handshake, all lines
- Galvanically isolated to allow floating reference
- Built in battery monitoring with control outputs for activation of charger/battery
- Monitoring of earthing faults

Mounting

The communication module is easily plugged onto a mounting rail inside a fire alarm control panel/controller.

The communication module, as well as the power module (BSS-310A), is always delivered with the fire alarm control panel/controller.

Since the communication module provides the common external interface for all modules, the module must always be mounted on the rail directly above the power module BSS-310A, which is the first module mounted at the bottom of the rail.

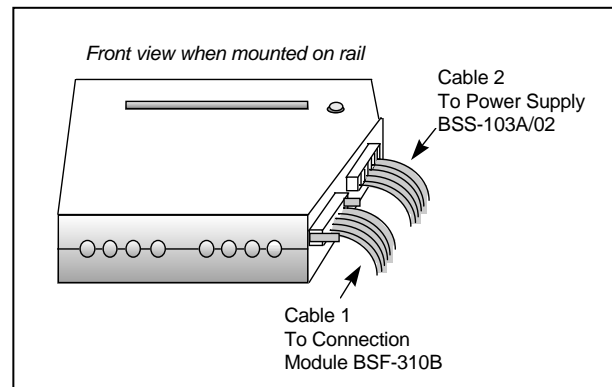
The I/O module will automatically detect its own address, no dipswitch or jumper settings are required

Cabling

Two small ribbon cables are used for the internal connections inside the cabinet. One cable is used to connect the communication module and the connection module BSF-310A (indicated as cable 1). The other cable is used to connect the communication module and the power supply BSS-103 (indicated as cable 2).



Connections

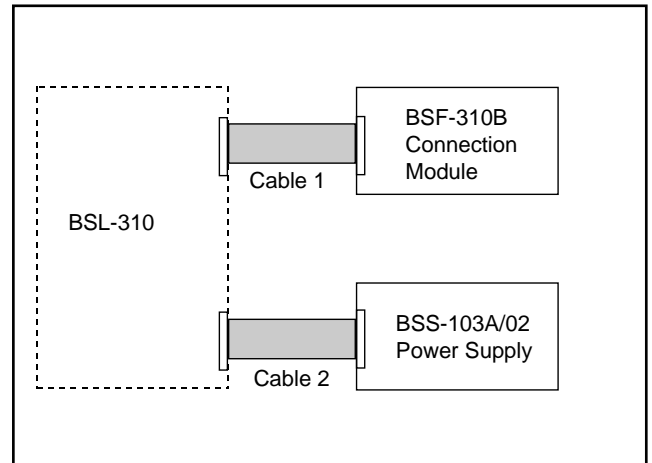


Connector on ribbon cable 1, to connection module BSF-310B	Signal
1	INT
2	RS_GND
3	TX
4	RS_GND
5	RS_GND
6	RS_GND
7	RX
8	RS_GND
9	CTS
10	RS_GND
Connector on ribbon cable 2, to power module BSS-103A/02	Signal
1	TEST
2	N.C.
3	N.C.
4	MAINS_OK
5	N.C.
6	APPLY_LOAD

Technical specifications	
Dimensions (mm)	95 x 89 x 32
Weight (g)	81
Materials	Top and bottom: Zytel FR7200 Snap on mounting device: Zytel 7335S
Electrical connection	Internal system: plug in connection and ribbon cables
Mounting	Onto a standard mounting rail inside the Fire alarm control panel or Controller
Internal current consumption	24VREG: 15 mA
Current consumption, idle 24V REG	13mA
Current consumption, idle 5V REG	2mA
Current consumption, idle 24V BAT	18.5mA
Current consumption, 24V REG	21.5mA
Current consumption, 5V REG	2.7mA
RS-232 output	Minimum 3K load resistance at +/- 5V
RS-232 input	Minimum load resistance 3K
RS-232 Baud rate	9600 Baud, one stop bit, no parity
Battery voltage failure	$U_{batt} < 22.6V \pm 0.2V$
Charging fault	$U_{batt} < 28.5V \pm 0.2V$ $U_{batt} < 25.5V \pm 0.2V$
Earth fault	Batteri + <52K +/-4K Batteri - <10K +/-2K
Net_OK	$12..V < Voltage \text{ in } < 32V$

Part number	Description
116-BSL-310	Communication module

Installation overview



AUTRONICA FIRE AND SECURITY AS

Head office, NO-7483 Trondheim, Norway Tel: +47 73 58 25 00, fax: +47 73 58 25 01, e-mail: info@autronicafire.no
 Oil and Gas division, Stavanger, Norway Tel: +47 51 84 09 00, fax: +47 51 84 09 99
 Maritime division, Spikkestad, Norway Tel: +47 31 29 55 00, fax: +47 31 29 55 01

Visit Autronica Fire and Security AS' website: www.autronicafire.com