

# Dual Power Monitoring Module BSS-311

AutroSafe Interactive Fire Detection System, Release 4  
Product datasheet

## Features

- Provides redundant power input to the BSS-310A module. The BSS-311 module may also be used as a standalone unit with two redundant power inputs and one power output.
- Both power inputs are monitored and the common fault output will be de-energized in the case of low input voltage or interruption in any power input wire.
- Easily plugged onto a standard mounting rail
- Designed to meet EN 54 requirements and conforms to CE standards

## Description

The Dual Power Monitoring Module BSS-311 provides redundant power input to the BSS-310A module mounted in the Fire Alarm Control Panel (BS-420) or the Controller (BC-420).

Connecting several BSS-311 modules in parallel increases output power. In such a configuration it is essential that the power inputs are connected in parallel, e.g. common +24V Input-1 and common 0V Input-1 for all BSS-311 modules.

Note that the negative wire on both power supplies must be connected at the sourcing side. This is due to the following:

- If connected at the load (BSS-311 input) a single failure on a minus wire will not be detected
- If a plus and minus wire is short-circuited, there is a risk to make a series connection, i.e. 48V supply

## Mounting

The module is easily plugged onto a mounting rail - as the first of several other modules, placed at the bottom of the rail - inside the Fire Alarm Control Panel (BS-420) or the Controller (BC-420).



## Connections

BSS-311 has the following connections:

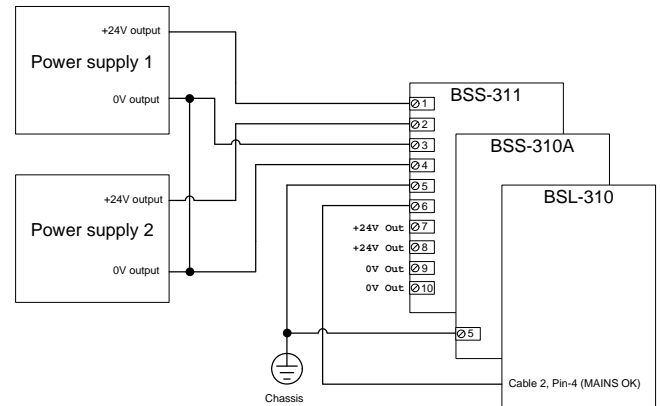
Screw terminal no.	Signal
1	+24V Input (Source 1)
2	+24V Input (Source 2)
3	0V Input-1 (Source 1)
4	0V Input-2 (Source 2)
5	Chassis (GND)
6	Common Power Fault Output (24V=Normal, 0V=Power Fault)
7	+24V Out
8	+24V Out
9	0V Out
10	0V Out

## Cabling

Refer to installation overview on the other side of this datasheet. An external power fault relay may also be used, in this case the relay coil has to be connected between terminal 6 (+) and terminal 9 or 10 (-). The relay coil will be de-energized in the case of any power fault.

Technical specifications	
Dimensions (mm)	95x89x32
Weight (g)	83,5
Materials	Plastic cover
Colour	Grey
Electrical connection	Internal system: plug in connection Removable screw terminals (maximum cable dimension 2,5mm <sup>2</sup> )
Mounting	Onto a standard 35mm mounting rail inside the Fire Alarm Control Panel or Controller.
Current consumption (idle)	14mA
Low voltage detection level	(16.0 +/-1.0) VDC
Common Power Fault output	24V=Normal, 0V=Power Fault Maximum load current: 100mA
Input voltage	14-32VDC
24V output	Maximum load current: 5,0A
Operating temperature range	-25 - +70 °C
Storage temperature range	-40 - +85 °C
Humidity	Up to 95% non-condensing

**Installation overview**

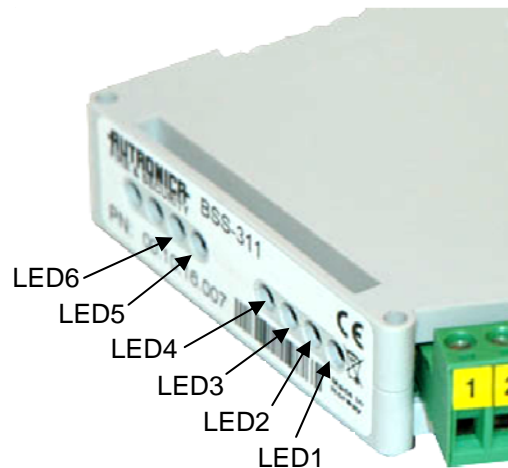


NOTE! The power supply module BSS-310A receive power from the internal plug-in connector

Part number	Description
116-BSS-311	Dual Power Monitoring Module

**Indicators**

LED no.	Colour	Description
LED 6	Green	Power ON
LED 5	Red	Internal fault
LED 4	Red	Interruption or short circuit in +24V Input-1, Screw terminal 1
LED 3	Red	Interruption or short circuit in +24V Input-2, Screw terminal 2
LED 2	Red	Interruption or short circuit in 0V Input-1, Screw terminal 3
LED 1	Red	Interruption or short circuit in 0V Input-2, Screw terminal 4



**AUTRONICA FIRE AND SECURITY AS**

Head office, NO-7483 Trondheim, Norway Tel: +47 73 58 25 00, fax: +47 73 58 25 01, e-mail: info@autronicafire.no  
 Oil and Gas division, Stavanger, Norway Tel: +47 51 84 09 00, fax: +47 51 84 09 99  
 Maritime division, Spikkestad, Norway Tel: +47 31 29 55 00, fax: +47 31 29 55 01

Visit Autronica Fire and Security AS' website: [www.autronicafire.com](http://www.autronicafire.com)