

# Fire Brigade Panel BU-210

Autroprime Interactive Fire Detection System  
Product datasheet

## Features

- User-friendly display and operator controls
- Backlit operating buttons. Text display suitable for night-time operation
- Surface mounting
- Designed to meet EN 54 and LPCB requirements, and conforms to CE standards
- Complies with environmental conditions of IEC-721-3-3 class 3k5

## Application/Description

From the Fire Brigade Panel BU-210 it is possible to mute the panel's internal buzzer, silence sounders/bells etc. and reset the system. Only alarms are shown in the display.

The panel is menu operated on a 8-line display, with 40 characters per line.

The BU-210 communicates with the Fire Alarm Control Panel BS-200, Information Panels BV-210, Repeater Panels BS-211, other Fire Brigade Panels BU-210 and Mimic Drivers BUR-200 on an RS-485 panel bus.

## Indicators

- 8 x 40 character alphanumeric display
- Alarm, More Alarms, Pre-Alarm, Remote Call, Fault, Disabled Function, Delayed Activation, Power
- Internal buzzer

## Operator Controls

- More Events, Mute panel, Silence, Reset
- Backlit buttons and text
- Fireman's key



## Capacity

- A maximum of 8 additional panels can be freely mixed and connected to the Fire Alarm Control Panel via the RS-485 panel bus, including Repeater Panels BS-211, Information Panels BV-210, Fire Brigade Panels BU-210 and mimic Drivers BUR-200

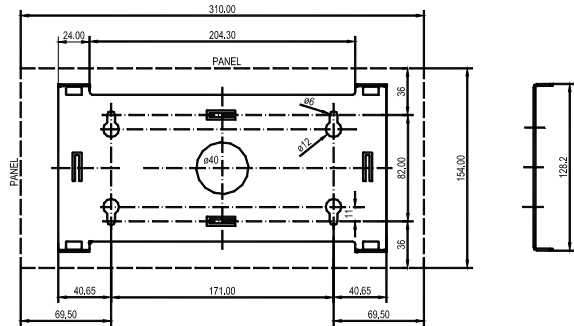
## Panel Bus Connection (connector J13 and J14)

J14							J13						
+24V in1	0V in1	+24V in2	0V in2	A1	B1	GND	+24V in1	0V in1	+24V in2	0V in 2	A2	B2	GND
Panel Bus In							Panel Bus Out						

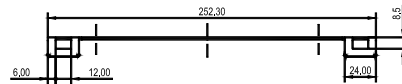
## Addressing the Panel

The rotary switch on the rear side of the panel (on the left side of the connector J13 and J14) is used to address the panel (1-9)

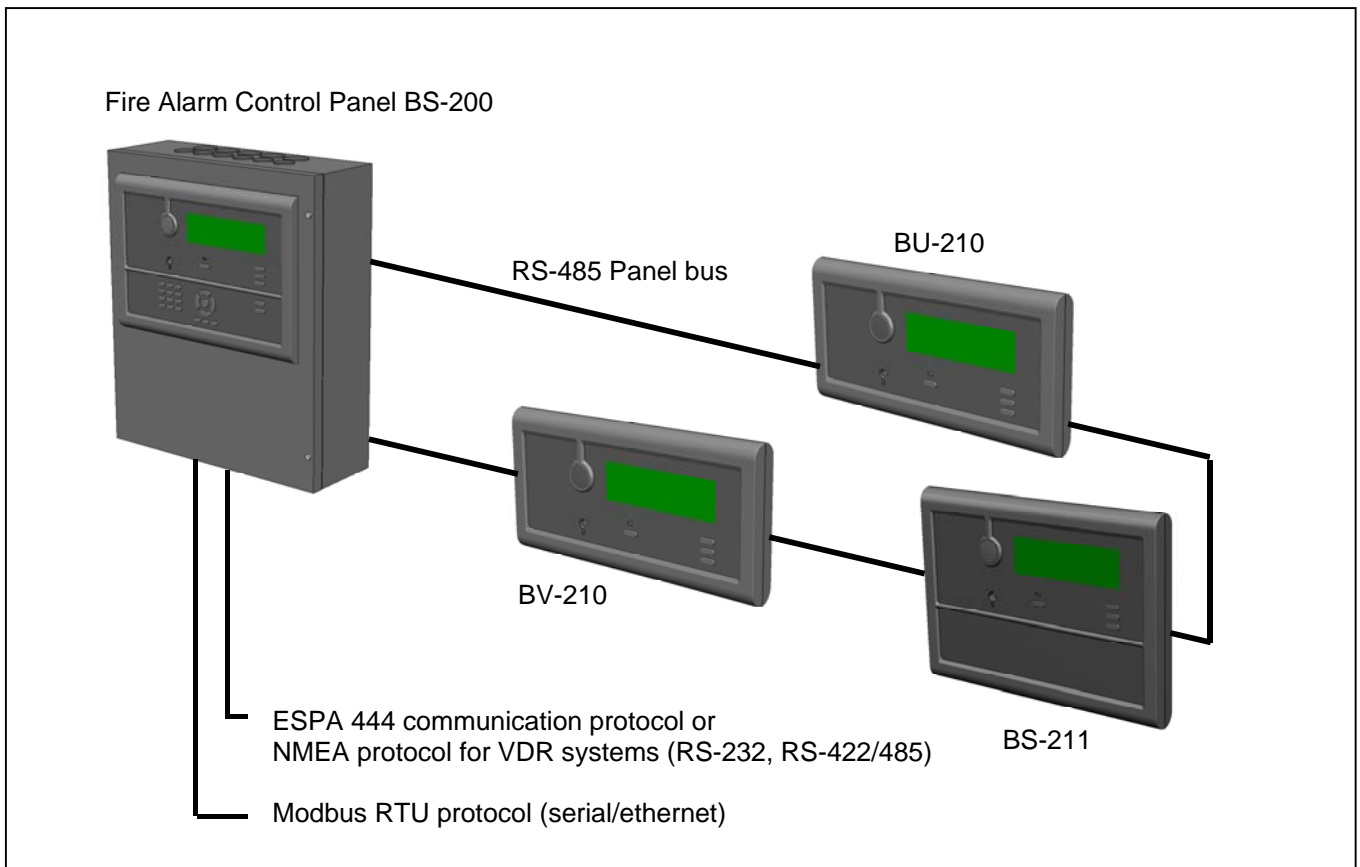
Technical specifications	
Dimensions (mm)	310 x 154 x 45
Weight	0,7 kg
Materials	ABS/PC moulded front
Mounting	Surface
Protection class	IEC 529 / IP32
Operating temperature	- 15 °C to + 70 °C
Humidity	0 to 95 % non-condensing
Storage temperature	- 40 °C to + 70 °C
Current consumption	20 mA at 27 VDC, 300 mA at lamp test (start-up)
Power supply	18-30 VDC
Communication	RS-485 Panel Bus (redundant power bus)



Part number	Description
116-BU-210	Fire Brigade Panel BU-210
116-UD-731	Wall mount bracket



**Panels interconnected on the RS-485 Panel Bus**



**AUTRONICA FIRE AND SECURITY AS**

Head office, Trondheim, NO-7483 Norway Tel: +47 73 58 25 00, fax: +47 73 58 25 01, e-mail: info@autronicafire.no  
 Oil and Gas division, Stavanger, Norway Tel: +47 51 84 09 00, fax: +47 51 84 09 99  
 Maritime division, Spikkestad, Norway Tel: +47 31 29 55 00, fax: +47 31 29 55 01

Visit Autronica Fire and Security AS' website: [www.autronicafire.com](http://www.autronicafire.com)