

Flame detector interface

Interactive fire detection systems
Product datasheet

Features

- Interface for 601F Flame Detector
- Loop-powered interface
- Short circuit isolator
- Low cost
- Proven technology
- Easy installation
- High degree of protection

Applications/Description

The addressable Flame Detector Interface is a loop-powered unit for interfacing the 601F IR Flame detector to Autronica's interactive fire detection systems. The interface is connected directly to the detection loop and requires no external power source. The unit can be used for interfacing of one flame detector only and is mounted in a deckhead mounting box.

The surface chosen for the mounting should be flat over the area of the underside of the housing to ensure a stable fixing and strong enough to take the weight of the mounting, detector base and sensor.

The unit is intended for indoor applications only.

Compatibility

The Flame Detector Interface is compatible with AutoSafe Interactive Fire Detection System version 3.7 and later, and Autoprime Interactive Fire Detection System version 1.0.7.0 and later versions.

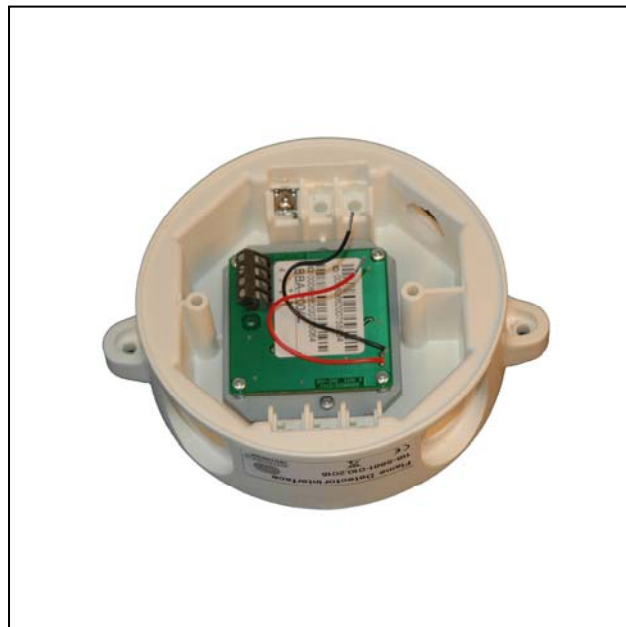
Degree of Protection

The interface, with the detector mounted, has IP 54 degree of protection. Ex-versions are not available.

Mounting

Note:

Do not disassemble the interface unit or disconnect the wires. Any other way of handling the unit than what is described may jeopardize the warranty. The interface unit is mounted in a deckhead mounting box. See illustration on page 2.



ESD Warning Label

The product is marked with the ESD symbol. Observe precautions for handling electrostatic sensitive devices.

Note: When opening the package, take the necessary precautions to avoid electrical discharges caused by static electricity.



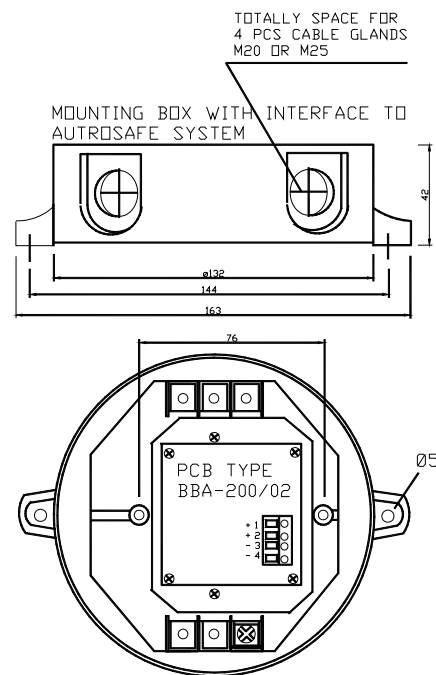
Interface with detector mounted



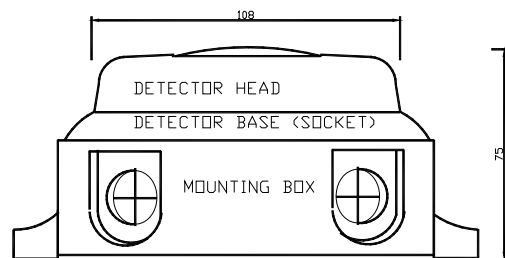
Technical specifications	
Dimensions (HxWxD)	40x163x132 mm
Weight	300 g
Material	20% glass filled PBT
Cable entry	4 x \varnothing 20 / \varnothing 25 mm knockout
Degree of protection	IP 54 with detector mounted
Operating temperature	0 to + 70 °C

Part number	Description
116-5861-010.2015	AutroSafe Flame Detector Interface
116-5861-010.2012	Detector base for 601 series
116-5861-010.2011	IR-Flame Detector Head 601F
Accessories	
116-6571-011.1920	Gland M20
116-6531-006.1920	Back-nut M20

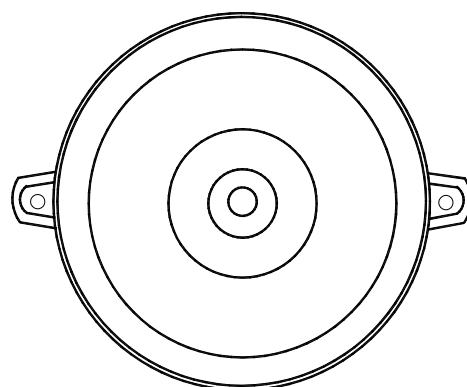
Mounting dimensions



OPEN MOUNTING BOX

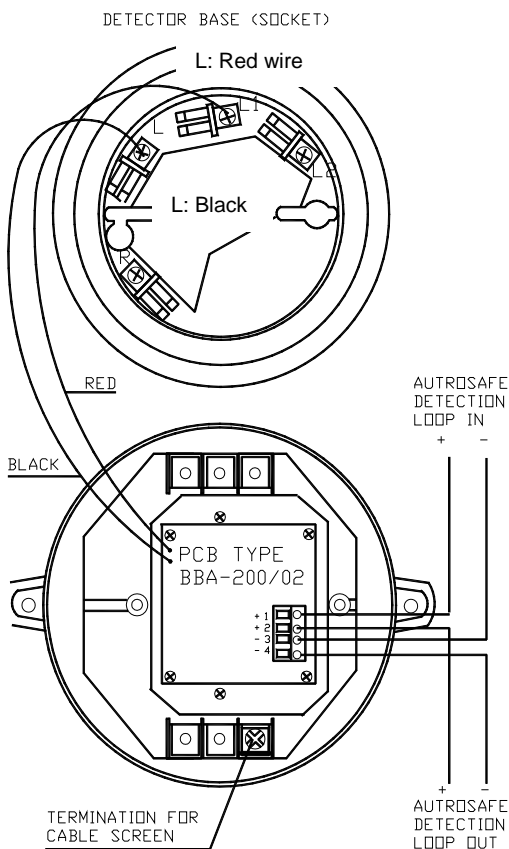


COMPLETE DETECTOR SIDE VIEW



COMPLETE DETECTOR TOP VIEW

Cable connections



AUTRONICA FIRE AND SECURITY AS

Head office, Trondheim, NO-7483 Norway Tel: +47 73 58 25 00, fax: +47 73 58 25 01, e-mail: info@autronicafire.no
 Oil and Gas division, Stavanger, Norway Tel: +47 51 84 09 00, fax: +47 51 84 09 99
 Maritime division, Spikkestad, Norway Tel: +47 31 29 55 00, fax: +47 31 29 55 01

Visit Autronica Fire and Security AS' website: www.autronicafire.com