

# Input module - BSE-320

AutoSafe interactive fire detection system  
Product datasheet

## Features

- Provides 8 non-monitored and galvanically isolated inputs
- Easily plugged onto each other or onto other I/O modules on a standard mounting rail
- Automatic addressing
- Designed to meet EN 54 requirements and conforms to CE standards.

## Description

The Input module BSE-320 provides 8 non-monitored and galvanically isolated inputs for digital input devices and other controlling inputs. The module is easily plugged onto a mounting rail inside a fire alarm control panel/controller.

The inputs have a common connection to an external source, 24 VDC. Each input is activated by pull-ing the terminal to 0 V, typically by an open collector output.

The module will automatically detect its own address, no dipswitch or jumper settings are required.

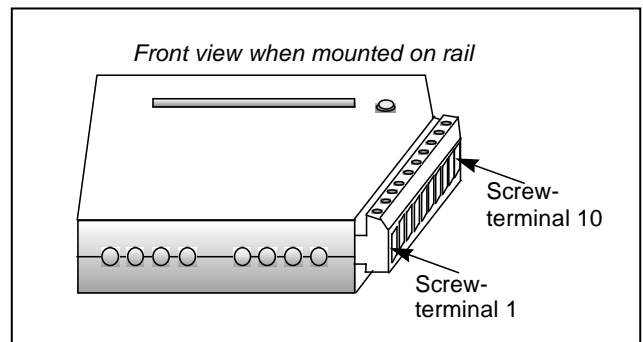
The module is intended to be mounted in a closed cabinet. Ambient light should be avoided.

## Limitations

The input signal protection is limited, and signal wires should run inside shielded enclosures or within a shielded cable.



## Connections



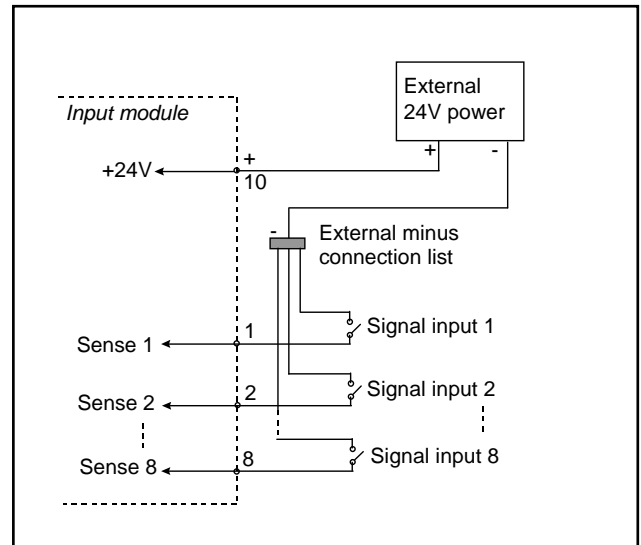
BSE-320 has the following connections:

Screw terminal nr.	Signal
1	IN1
2	IN2
3	IN3
4	IN4
5	IN5
6	IN6
7	IN7
8	IN8
9	n.c.
10	INx-power supply Common source to all inputs (+)

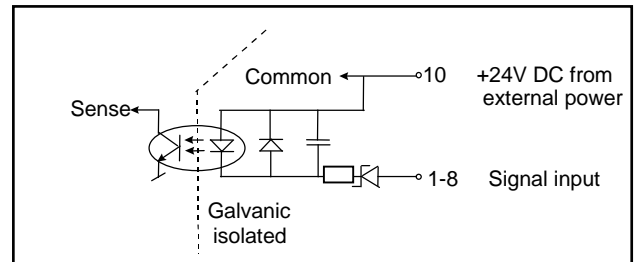
Technical specifications	
Dimensions (mm)	95x89x32
Weight (g)	81
Materials	Plastic cover
No. of inputs per module	8 pcs, non-monitored
Electrical connection	Internal system: plug in connection Screw terminals (maximum cable dimension 2,5mm <sup>2</sup> )
Mounting	Onto a standard mounting rail inside the fire alarm control panel or controller.
Internal current consumption	24VREG: 7 mA
Input current per signal	Typ 6.2mA @24 VDC
Operating temperature range	-5 to +70 degrees C
Storage temperature	-10 to +85 degrees C
Humidity	5% to 95%
External input voltage range	-15V to +32V referenced to pin 9

Part number	Description
116-BSE-320	Input module

### Installation overview (example)



### Schematics



#### AUTRONICA FIRE AND SECURITY AS

Head office, NO-7483 Trondheim, Norway Tel: +47 73 58 25 00, fax: +47 73 58 25 01, e-mail: info@autronicafire.no  
 Oil and Gas division, Stavanger, Norway Tel: +47 51 84 09 00, fax: +47 51 84 09 99  
 Maritime division, Spikkestad, Norway Tel: +47 31 29 55 00, fax: +47 31 29 55 01

Visit Autronica Fire and Security AS' website: [www.autronicafire.com](http://www.autronicafire.com)