

Monitoring and control unit - BN-320/4

Interactive fire detection systems
Product datasheet

Features

- Interactive
- 2 monitored inputs
- 1 output with potential free changeover contact
- Connected directly to the detection loop
- Loop powered
- Built in short circuit isolator
- Automatic addressing
- Proven technology
- With SelfVerify function for reduced maintenance/testing and increased reliability

Application / Description

The monitoring and control unit BN-320/4 is for use with Autronica's interactive fire detection systems, and comprise the SelfVerify function. This function ensures the highest grade of reliability and reduces the need for manual testing, because all units comprising this function are automatically checked once every 24 hours.

Typical applications are monitoring and/or control of various external equipment, such as control of fire dampers, ventilation valves, fans, lifts, plus fire, and smoke hatches.

The monitoring and control unit is connected directly to the detection loop. External equipment must have separate power supply.

Principle

The unit has 2 monitored inputs, plus 1 output with a potential free changeover contact. Input A is a feedback input for confirming activation (manual or automatic). Input B is used for reporting fault conditions (power fault and/or unit fault).

An open circuit (loss of 2k on the inputs) gives fault warning.

The unit has a built in short circuit isolator. In the event of a short circuit, the short circuit location will be isolated.

SelfVerify: the ability to initiate alarm signal is regularly checked.

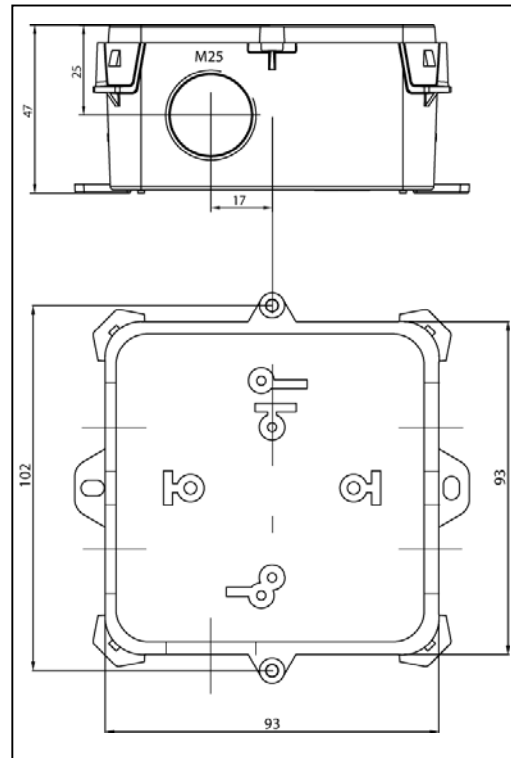


Technical specifications

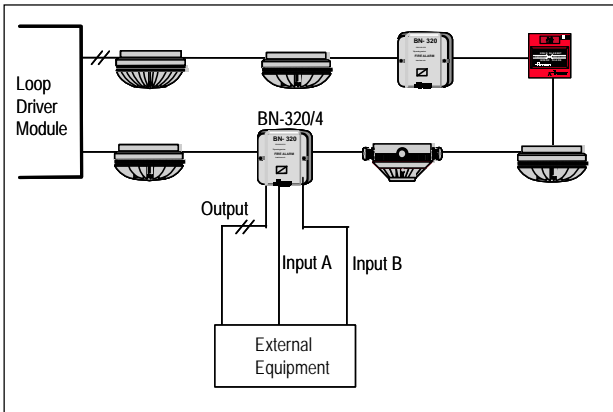
Weight	175 g
Material	Thermo plastic
Colour	Light grey
Output	Pot.free changeover contact. Max. 1A - 30 VDC resistive
Max. capacitance on input	40 nF
Voltage, AICom (detection loop)	10 - 27 VDC
Current consumption: Stand by	0,3mA
Environm. requirement	EN 54-5/EN 54-7
Degree of protection: Membr. inlets PG-inlets (PG-13,5)	IP54 IP67
Working temperature	- 20 - + 70°C
Humidity (non condensing)	Max. 95% RH
Maintenance	None
Service	Replace if faulty
Approvals	See website

art number	Description
BN-320/4	Monitoring and control unit

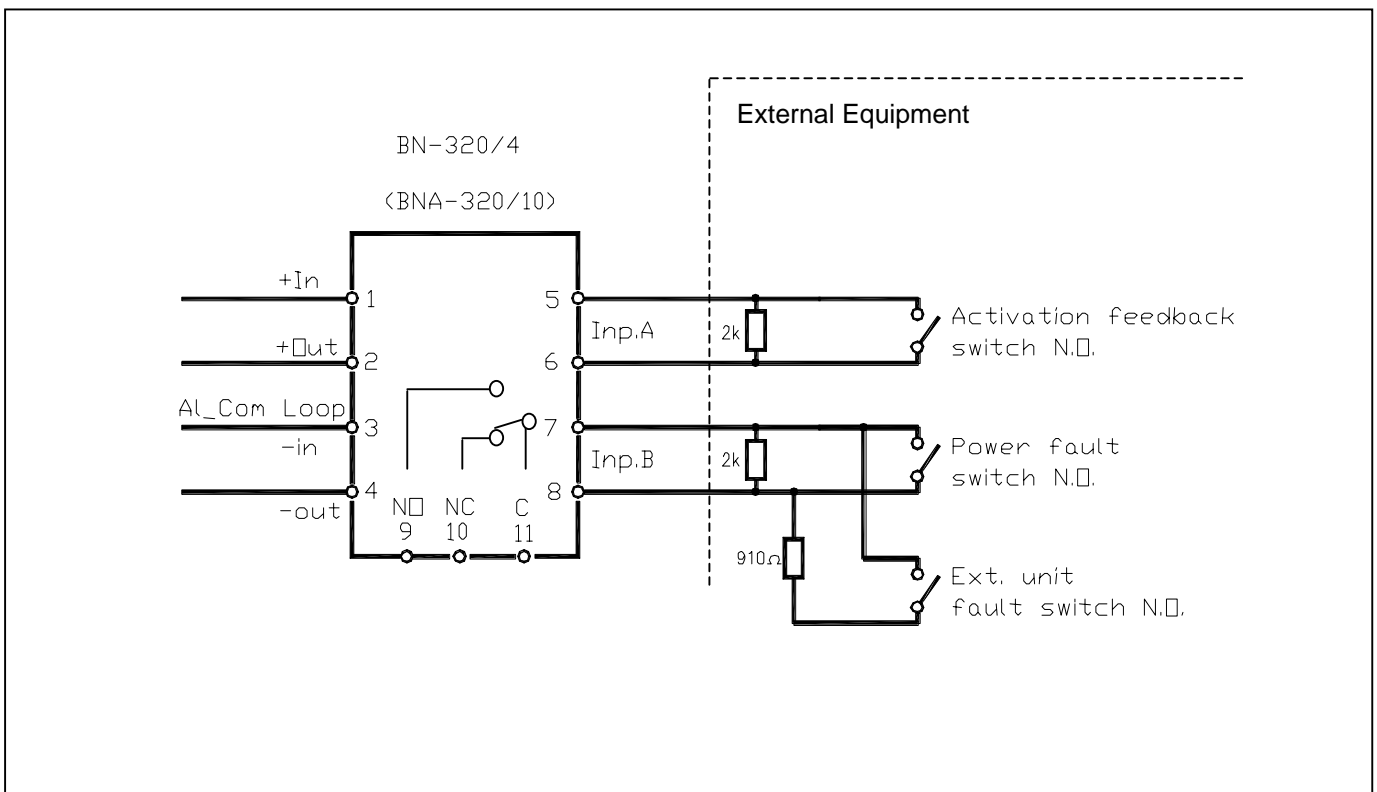
Dimensions (mm)



Overview



Connections



AUTRONICA FIRE AND SECURITY AS

Head office, NO-7483 Trondheim, Norway Tel: +47 73 58 25 00, fax: +47 73 58 25 01, e-mail: info@autronicafire.no
 Oil and Gas division, Stavanger, Norway Tel: +47 51 84 09 00, fax: +47 51 84 09 99
 Maritime division, Spikkestad, Norway Tel: +47 31 29 55 00, fax: +47 31 29 55 01

Visit Autronica Fire and Security AS' website: www.autronicafire.com