

# Output module, monitored - BSB-310

AutoSafe interactive fire detection system  
Product datasheet

## Features

- Provides four monitored output circuits
- Monitoring function for break or short circuiting
- Easily plugged onto each other or onto other I/O modules on a standard mounting rail
- Automatic addressing of the I/O module
- Designed to meet EN 54 requirements, and conforms to CE standards

## Description

The output module BSB-310 provides four monitored output circuits for alarm sounders, fire detection devices, fire detection routing equipment, fire protection devices and other fault outputs.

The module is easily plugged onto a mounting rail inside the fire alarm control panel/controller.

Each alarm circuit has its own freely programmable address and signal frequencies. The standard frequency is 2 Hz.

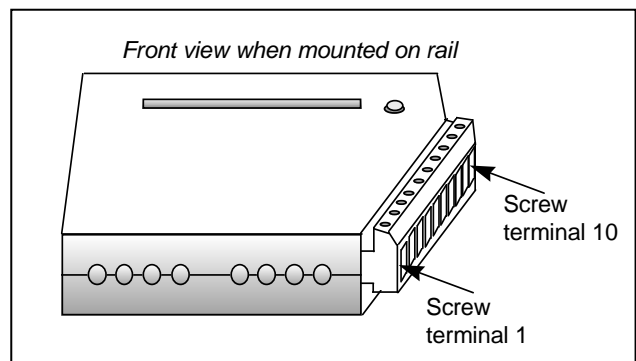
Each output is fused with a 1A self-resetting fuse. The outputs are continuously monitored to detect a possible break or short circuit.

24V is supplied to the relay contacts via the internal bus, or in parallel via the screw terminals.

The module will automatically detect its own address; no dip switch or jumper settings are required.



## Connections



The output module has the following connections:

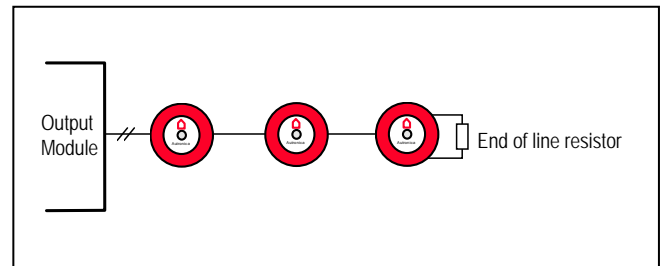
Screw terminal no.	Signal
1	Output AK1 - OV
2	Output AK1 + (+24V)
3	Output AK2 - (OV)
4	Output AK2 + (+24V)
5	Output AK3 - OV
6	Output AK3 + (+24V)
7	Output AK4 - OV
8	Output AK4 + (+24V)
9	Internal input only 24 VBAT
10	Internal input only 0 VBAT

The output AK4 is configurable to be used as a monitored Fault Warning Routing Equipment (FWRE) output (an output, which routes a fault warning signal to a fault warning signal receiving station).

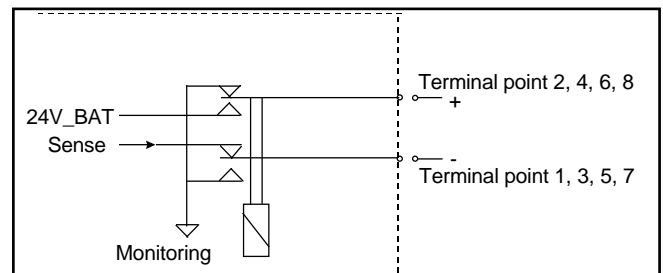
Technical specifications	
Dimensions (mm)	95x89x32
Weight (g)	81
Materials	Top and bottom: Zytel FR7200 Snap on mounting device: Zytel 7335S
Electrical connection	Internal system: plug in connection Outputs: screw terminals (maximum cable dimension 2,5mm <sup>2</sup> )
Mounting	Onto a standard mounting rail inside the Fire alarm control panel or Controller.
Control outputs: four pieces monitored	Voltage: 24 VDC Maximum load: 1A each output 3A total Electronic fuse: Trip current: 2,2 A per output at 25°C
End of line resistor	2000 Ohm
Internal current consumption	24VREG, idle: 10 mA 24VREG, 12,5% communication capacity: 26 mA
Output resistance accuracy on the loop	+/-25%
Output monitoring – short-circuit	< 200 Ohm
Output monitoring – normal	1000 - 3000 Ohm
Output monitoring – break	> 3000 Ohm

Part number	Description
116-BSB-310	Output module, monitored

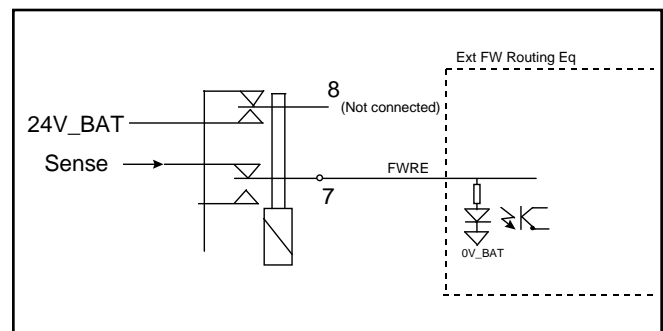
**Installation overview**



**Schematics - Monitored output**



**Schematics - Fault warning routing equipment (FWRE) output, output 4 only**



**N.B. At inductive load, a protection diode must be used.**

**AUTRONICA FIRE AND SECURITY AS**

Head office, NO-7483 Trondheim, Norway Tel: +47 73 58 25 00, fax: +47 73 58 25 01, e-mail: info@autronicafire.no  
 Oil and Gas division, Stavanger, Norway Tel: +47 51 84 09 00, fax: +47 51 84 09 99  
 Maritime division, Spikkestad, Norway Tel: +47 31 29 55 00, fax: +47 31 29 55 01

Visit Autronica Fire and Security AS' website: [www.autronicafire.com](http://www.autronicafire.com)