

Voyage data recorder interface - BSL-336

AutoSafe interactive fire detection system
Product datasheet

Features

- Allows AutoSafe fire detection system data to be logged on voyage data recording systems
- Logs status both on fire-detectors and fire-doors
- Meets NMEA-0183 requirements
- Complies with: IEC 61162-1 and 61162-2 (first edition 1998-09) Maritime Navigational and Radio-Communication Equipment and Systems, second edition, 2000-7
- Complies with IEC PAS 61162-102 Extra Requirements for the Voyage Data Recorder. Pre-Standard, first edition, 2003-12
- Configurable baud rate on ports 0 and 1
- DIN-rail mounting



Applications

BSL-336 is an interface between Voyage Data Recorders (VDR) and Autronica Fire and Security's interactive fire-detection system, AutoSafe.

BSL-336 is designed for use in maritime applications where a constant log of safety-related events is required.

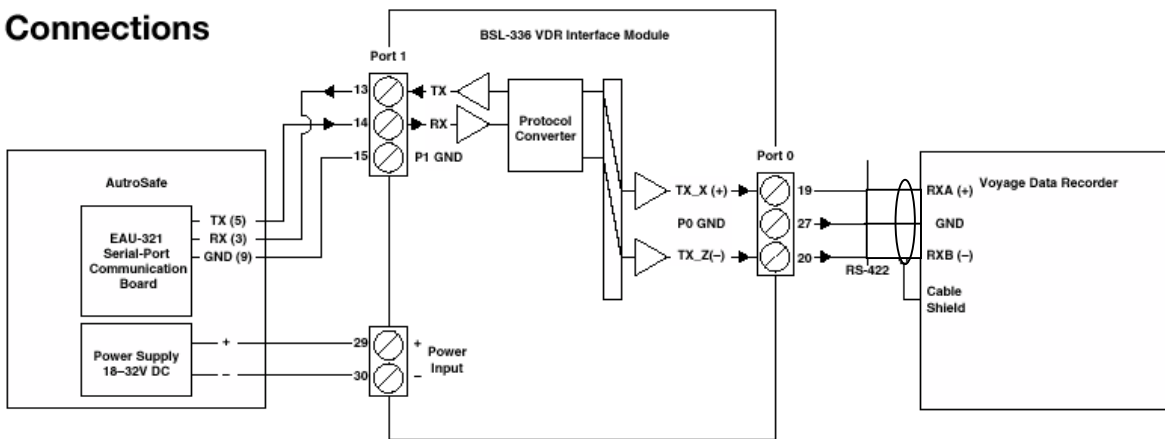
Principle

The BSL-336 VDR interface is a protocol converter that converts standard AutoSafe AutoCOM messages to NMEA-0183-standards-compliant strings, allowing events to be written to the VDR

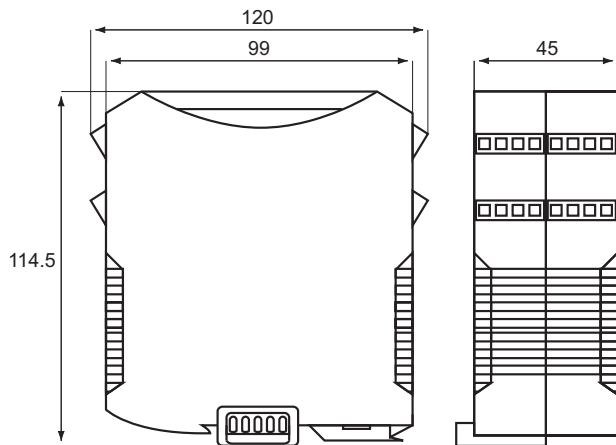
Technical specifications	
Weight	250g
Dimensions (HxDxW)	114,5x120x45 mm
Materials	PC/ABS
Colour	Green
Ports (configurable baud rate)	2 x Asynchronous + Service Port Port 0: RS-232/RS-422 Port 1: RS-232 Service Port: RS-232
Port Factory Settings	Port 0: 38400 baud, 8 data, none parity, 1 stop Port 1: 19200 baud, 8 data, none parity, 1 stop Serv. Port: 115200 baud, 8 data, none parity, 1 stop
Cable Terminals	Plug-in screw connection, maximum 2.5mm ² cable
Voltage	18 - 32 VDC
Current Consumption	Typically 150 200 mA @ 24 VDC
Degree of protection	IP20
Working temperature	-10 - +65°C
Storage temperature	-25 - +70°C
Humidity	10 - 95%, RH (non-condensing)
EMC compliance	IEC 60945
Emissions:	EN 50081-2 (94)
Immunity:	EN 50082-2 (95)
Complies with	IEC 61162-1 IEC 61162-2 IEC 61162-102



Connections



Dimensions



Part number	Description
116-BSL-336	VDR Interface
116-EAU-321	Serial Port Communication Board
116-AS-VDRCD	Configuration software and documentation on CD-ROM
116-P-BSL336/EE	Interfacing documentation

Termination

Terminal	Function	Terminal	Function
1	NC	17	Port 0, RX, RS-422_A+
2	NC	18	Port 0, RX, RS-422_B-
3	NC	19	Port 0, TX, RS-422_X+
4	NC	20	Port 0, TX, RS-422_Z-
5	NC	21	Service Port, TX, RS-232
6	NC	22	Service Port, RX, RS-232
7	NC	23	Service Port, RS-232, Signal Reference
8	NC	24	NC
9	NC	25	Port 0, TX, RS-232
10	NC	26	Port 0, RX, RS-232
11	NC	27	Port 0, Signal Reference
12	NC	28	Port 0, Instrument Earth
13	Port 1, TX, RS-232	29	+24 VDC Input
14	Port 1, RX, RS-232	30	0 VDC Input
15	Port 1, Signal Reference	31	Instrument Earth, common
16	Port 1, Instrument Earth	32	Protective Earth, common

AUTRONICA FIRE AND SECURITY AS

Head office, Trondheim, NO-7483 Norway Tel: +47 73 58 25 00, fax: +47 73 58 25 01, e-mail: info@autronicafire.no
 Oil and Gas division, Stavanger, Norway Tel: +47 51 84 09 00, fax: +47 51 84 09 99
 Maritime division, Spikkestad, Norway Tel: +47 31 29 55 00, fax: +47 31 29 55 01

Visit Autronica Fire and Security AS' website: www.autronicafire.com