

Manual call point with SelfVerify - BF-500/EX

Interactive fire detection systems

Product datasheet

Declaration of conformity and instructions

Features

- Addressable
- Eexia version for use in hazardous areas
- Max. 3 second response time
- Can be tested by means of a special test key
- With SelfVerify function for reduced maintenance/testing and increased reliability
- Short circuit isolator in each call point
- Automatic addressing
- Proven technology
- Designed to meet the requirement of the major maritime classification societies

Applications

BF-500/EX is a manual call-point for indoor use in hazardous area zone 0, 1 or 2. It must be connected to the approved AutoSafe barrier BZ-500.

The call point is designed for use with Autronica's interactive fire detection systems, and comprises the SelfVerify function. This function ensures the highest grade of reliability and the lowest degree of manual testing because all units comprising this function are automatically self-tested once every 24 hours.

The call point must be installed according to local regulations, which normally means along escape routes, landings and exits.

Principle

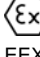
Break glass operation, releasing alarm switch.
Reset when a new glass is mounted.

SelfVerify: the call point's ability to initiate alarms is regularly checked.

Versions

- BF-300* Manual call point with SelfVerify
 - BF-300M* Manual call point with SelfVerify, with mounting box in metal and cable glands
 - BF-500/Ex Manual call point with SelfVerify. Eexia-version for use in all zones
 - BF-300M/N* Manual call point with SelfVerify. Eexn-version for use in zone 2
 - BF-500/N* Manual call point with SelfVerify. Eexn-version for use in zone 2
- * See separate datasheet.



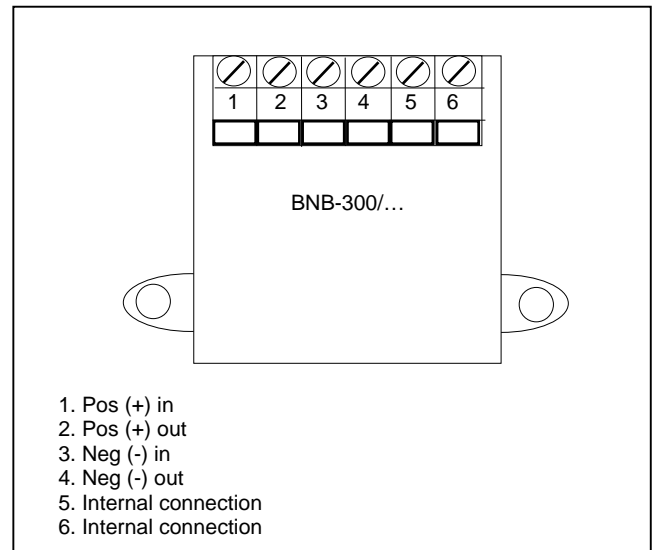
Technical specifications	
Weight	108 g
Material	Thermo plastic
Colour	Red
Voltage	10 - 27 VDC
Current consumption, stand by:	0,3mA
Environm. requirement	EN 54
Degree of protection	IP24D
Working temperature	- 20 - + 50°C
Storage temperature	- 55 - + 70°C
Humidity (non-condensing)	Max. 95% RH
Maintenance	Replace broken glass
Service	Replace if faulty
Certificates	See website
Notified body	Nemko-Oslo-Norway ID No. 0470
EC type examination certificate	NEMKO 03ATEX218X
Directives and standards	94/9/EC (ATEX) EN 50014 EN 50020 89/336/EEC (EMC) Emission: EN 50081-1: 1992 Immunity: EN 50130-4: 1995 EN: 61000-6-2: 1999
Ex parameters	 II 1 G EEX ia IIC T5 U _i = 15,75V I _i = 63,5mA C _i = 21,6nF L _i = 0 P _i = 443mW

Schedule Drawing
No modifications permitted
without reference to the
Notified Body

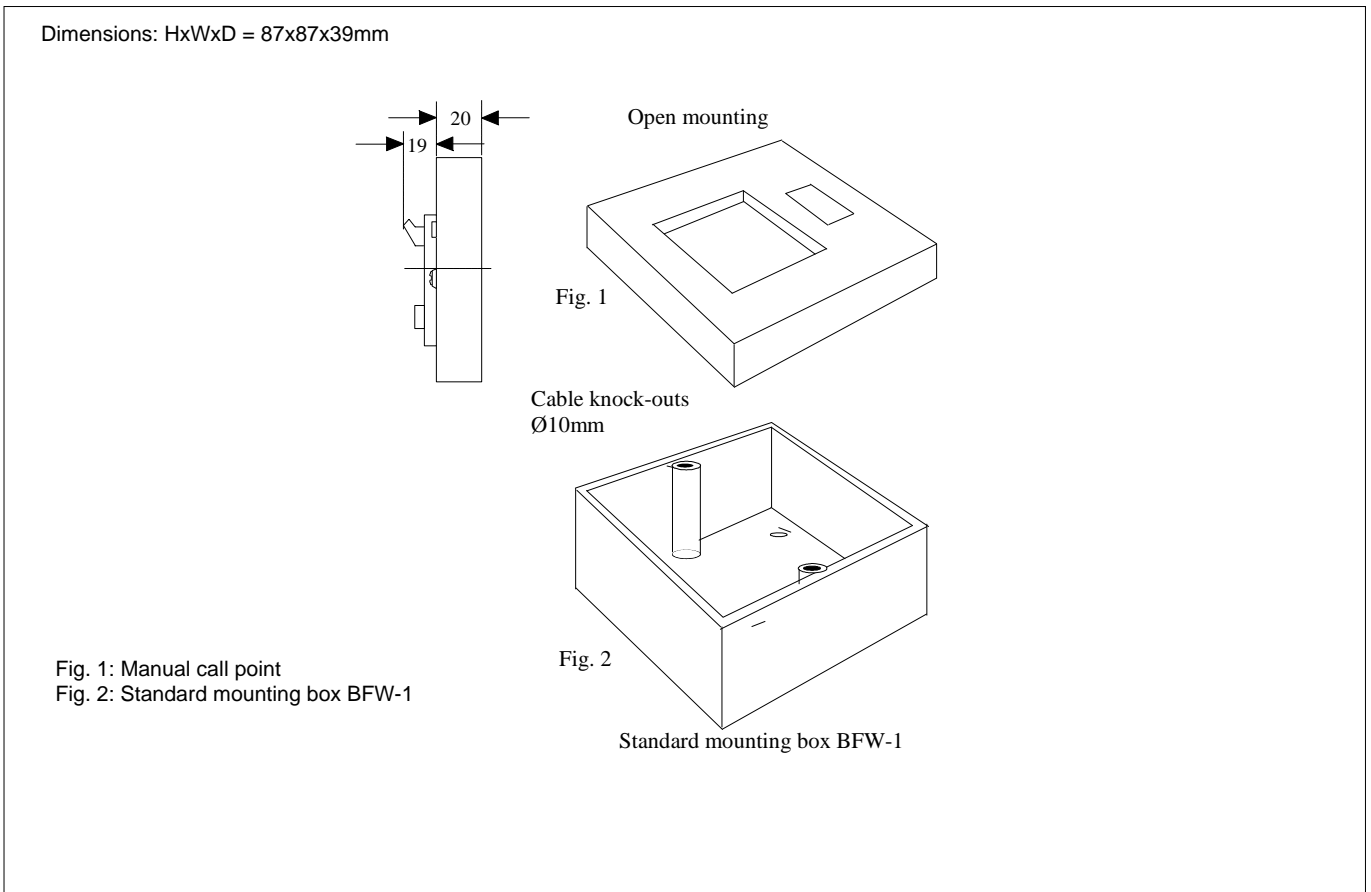


Part number	Description
116-BF-500/EX	Manual call point

Connections



Dimensions



Managing Director Mr. Frode Lund

AUTRONICA FIRE AND SECURITY AS

Head office, NO-7483 Trondheim, Norway Tel: +47 73 58 25 00, fax: +47 73 58 25 01, e-mail: info@autronicafire.no
 Oil and Gas division, Stavanger, Norway Tel: +47 51 84 09 00, fax: +47 51 84 09 99
 Maritime division, Spikkestad, Norway Tel: +47 31 29 55 00, fax: +47 31 29 55 01

Visit Autronica Fire and Security AS' website: www.autronicafire.com