

Manual call point with SelfVerify - BF-501

Interactive fire detection systems
Product datasheet

Features

- Manual call point for use in harsh environmental conditions
- Weatherproof
- Corrosion resistant GRP
- Protection degree IP66 and IP67
- Short circuit isolator in each unit
- Automatic addressing
- Proven technology
- With SelfVerify function for reduced maintenance/testing and increased reliability
- Designed to meet the requirement of the major maritime classification societies

Applications

BF-501 is a manual call point for use in harsh environmental conditions. The call point has been designed for use with Autronica's interactive fire detection systems, and comprises the SelfVerify function. This function ensures the highest grade of reliability and the lowest degree of manual testing, because all units comprising this function are automatically self-tested once every 24 hours.

The high IP degree and mechanical strength of the enclosure make the call point suitable for outdoor applications in industrial, maritime and offshore installations.

There is also a BF-501/N version for use in hazardous area zone 2. It must be connected to the BSD-310/N loop driver, but does not require an isolator/barrier unit.

The call point must be installed according to local regulations, which normally means along escape routes, landings and exits.

Principle

- Break glass element
- Reset when a new glass is mounted

SelfVerify: The call point's ability to initiate alarms is regularly checked.



Versions

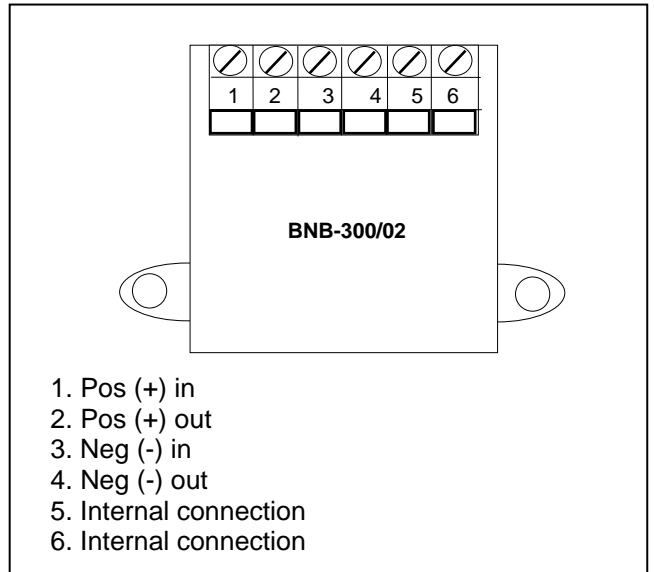
- BF-501 Manual call point with SelfVerify
- BF-501/EX* Manual call point with SelfVerify. Exia-version for use in all zones
- BF-501/N* Manual call point with SelfVerify. Exic-version for use in zone 2 only

*See separate data sheet

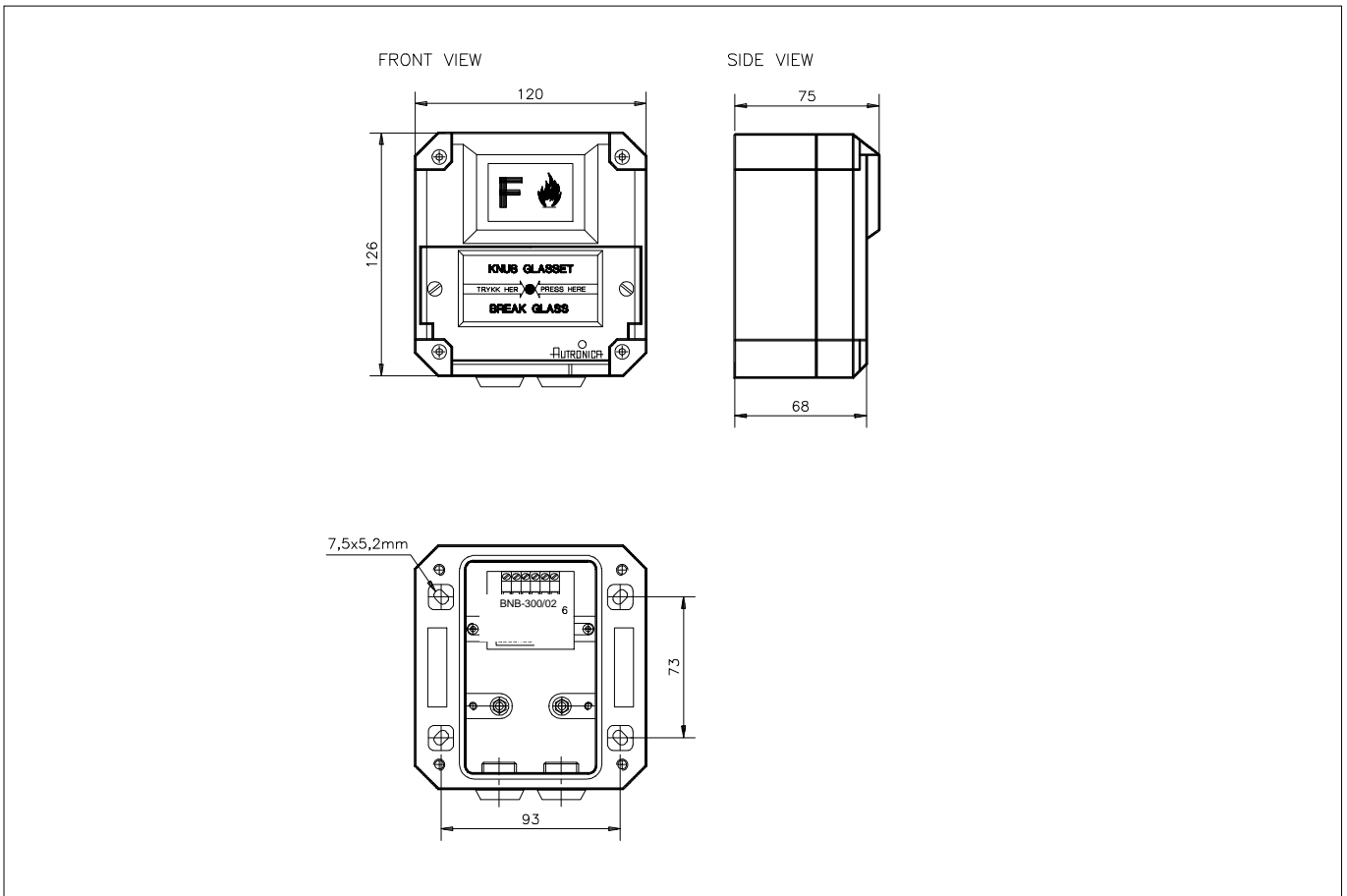
Technical specifications	
Weight	1,2 kg
Material	Glass, Reinforced polyester
Colour	Red
Voltage	10 - 27 VDC
Current consumption Stand by:	0,3mA
Environm. requirement	EN 54
Degree of protection	IP66
Working temperature	- 20 - + 70°C
Cable inlets	2 x M20
Maintenance	Replace broken glass
Service	Replace if faulty
Approvals	See website

Part number	Description
116-BF-501	Manual call point
Accessories	
116-4890-022.0001	Lift flap PC
116-4890-022.0010	Lift flap SS

Connections



Dimensions



AUTRONICA FIRE AND SECURITY AS

Head office, NO-7483 Trondheim, Norway Tel: +47 73 58 25 00, fax: +47 73 58 25 01, e-mail: info@autronicafire.no
 Oil and Gas division, Stavanger, Norway Tel: +47 51 84 09 00, fax: +47 51 84 09 99
 Maritime division, Spikkestad, Norway Tel: +47 31 29 55 00, fax: +47 31 29 55 01

Visit Autronica Fire and Security AS' website: www.autronicafire.com