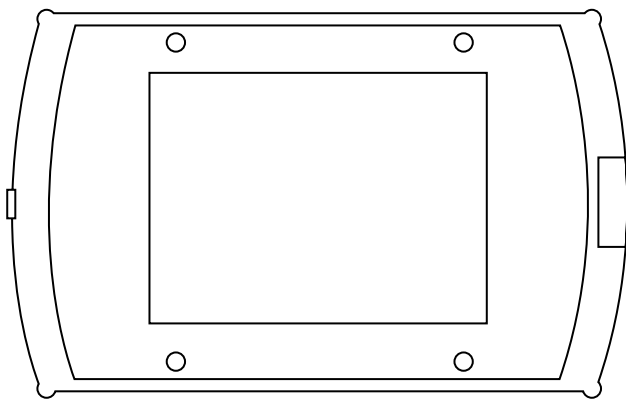




SAS TOUCH 3.5 Automotive Touchscreen 3.5"

Color touchscreen user interface for automotive system



Features

- User Interface for Automotive System (SAS)
- Management of a maximum of 4 detection and extinguishing zones
- RS485 Bus communication
- Acoustic Alarm
- Surface mounting
- Setup menu for parameters setting

Optic and/or Acoustic Indicators

- Buzzer

Capacity

- Management of Up to a maximum of 4 Detection/Extinguishing zones

Description/Application

Domino Technology touch screen is used as user interface for SAS systems mounted on onshore/offshore vehicles. The touch screen can be connected through BUS to SAS CU. A maximum of 4 SAS CU can be connected to each touch screen. SAS CU settings are programmed directly by touch screen.

Graphical user interface

- Main page with alarm/fault indication, manual activation, setup menu button.
- SetUp page for parameters management (protected by password).
- Status page to visualize the I/O status, power supply, backup batteries and Bus communication Port.
- Events Page to visualize in chronological order all the events with date and time.
- Extinguishing Management Page to visualize the activated extinguishing procedures.



SAS TOUCH 3.5 Automotive Touchscreen 3.5"

Technical Specifications	
Dimensions (mm)	130 x 82 x 25mm (5,11x3,23x0,98in)
Weight	0,3 kg (0,66lb)
Materials	ABS Cabinet
Mounting	Surface mounting
Protection Class	IP32
Operating Temperature	-20°C to +80°C (-4°F to +176°F)
Storage Temperature	-40°C to +90°C (-40°F + 194°F)
Power Supply	Nom. 24 VDC (09-40VDC)
Current Consumption	150mA/24 VDC Max. 350mA/24 VDC
Capacity	Up to maximum 4 zone Extinguish Detection/Extinguish zones
Communication Ports	1 RS-485 Serial Port

Product name	Description
SAS TOUCH 3.5	Automotive touchscreen 3.5"

Dimensions (mm)

