

## Features

- Up to 125 dB(A) at 25 Watts at 1 metre
- IP66
- Spun aluminum construction
- 100V line transformer

## Description

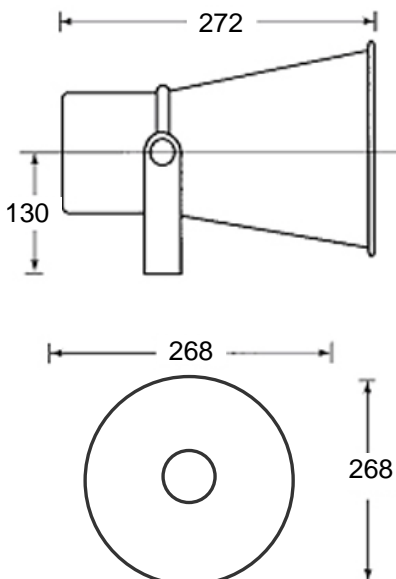
The BBR-AR30/T horn loudspeaker is manufactured in robust spun aluminum and is designed for heavy-duty industrial use. They are coated in a tough, grey epoxy finish. The BBR-AR30/T has switchable tapings that allow the installer to adjust sound pressure levels without rewiring.

Suitable for both indoor and outdoor use, this compact re-entrant horn provides high sensitivity combined with a tightly controlled dispersion pattern.

The BBR-AR30/T comes complete with a 16mm weatherproof gland entry plate.



## Dimensions (mm)



Technical specifications	
Type	Light grey aluminum
Connections	1 x M16 glands
Dimensions (mm)	268 Ø, 272 L
Weight incl. transformer	2,2 kg
Max. output	15W
Tapping (10V transformer)	4W - 7,7W - 15W - 30W
Effective frequency range	325 - 6.000 Hz
Sound pressure (SPL) 1w/m	110 dB
SPL w/max. output (1m)	125 dB
Distribution at 1000 Hz	120°
Max. - min. temperature	- 20 °C / + 60 °C
IP degree	66

Part number	Description
116-BBR-AR30/T	Loudspeaker, Horn 30W ACP

---

**AUTRONICA FIRE AND SECURITY AS**

**Fire and Security, Trondheim, Norway** Phone: +47 73 58 25 00, Fax: 73 58 25 01, e-mail: [info@autronicafire.no](mailto:info@autronicafire.no)

**Oil and Gas, Stavanger, Norway** Phone: +47 51 84 09 00, Fax: +47 51 84 09 99

**Maritime division, Spikkestad, Norway** Phone: +47 31 29 55 00, Fax: +47 31 29 55 01

Visit Autronica Fire and Security AS' website: [www.autronicafire.com](http://www.autronicafire.com)