

Heat detector with SelfVerify - BD-501

Interactive fire detection systems
Product datasheet

Features

- Interactive
- Heat detector intended for use in humid areas
- Short circuit isolator in each detector
- Conforms to EMC directive
- Additional coating of PCB circuit for environmental protection
- Comprises a built in alarm indicator (LED)
- Automatic addressing
- Proven technology
- Configurable to class A1, A1R, A2S, B, C
- With SelfVerify function for reduced maintenance/testing and increased reliability
- Not influenced by dust, humidity, exhaust gases, or electromagnetic fields (for example, radio transmitters, cellular phones, etc.)
- EN 54-5/EN 54-17
- Designed to meet the requirements of the major maritime classification societies

Applications

BD-501 is a point heat detector for detection of rise in environment temperature caused by a fire. The detector is designed for use with Autronica's interactive fire detection systems. The SelfVerify function ensures the highest grade of reliability. All units comprising this function are automatically tested with a calibrated test once every 24 hours.

Additional coating of PCB and sealing of the sensing element make this detector suitable for rough areas like heavy industry, maritime and offshore applications.

BD-501 is often used in areas where the environment is likely to produce unwanted alarms, such as:

- Kitchens
- Galleys
- Bathrooms
- Boiler rooms
- Workshops, etc.
- Refrigeration rooms, etc.

Principle

Temperature measurement by means of a thermistor for registration and reading of temperature at the detector point. Alarms at temperature according to configured class (Ref. table 1).

SelfVerify: the detector's ability to initiate alarm at correct temperature is regularly checked.



Versions

- BD-501 Standard heat detector with SelfVerify
- BD-501/N Heat detector with SelfVerify, Exn version for use in zone 2 only
- BD-501/EX* Heat detector with SelfVerify, EExia-version for use in all zones

* See separate datasheet

Technical specifications	
Weight	300 g
Material	Polycarbonate Macrolon
Colour	Light grey
Sensitivity	Ref. table 1
Voltage	10 - 27 VDC
Current consumption	
Stand-by:	< 0,3mA
External alarm indicator:	6mA
Environmental requirements	EN 54-5
Degree of protection	IP56
Working temperature	-20 - +80°C
Max. application	Ref. table 1
Humidity (non-condensing)	Max. 95% RH
Maintenance	None
Service	Replace if faulty
CPD certificate	1134-CPD-018
Approvals	See website
Certificate for BD-501/N	NEMKO 03ATEX217X



Dimensions

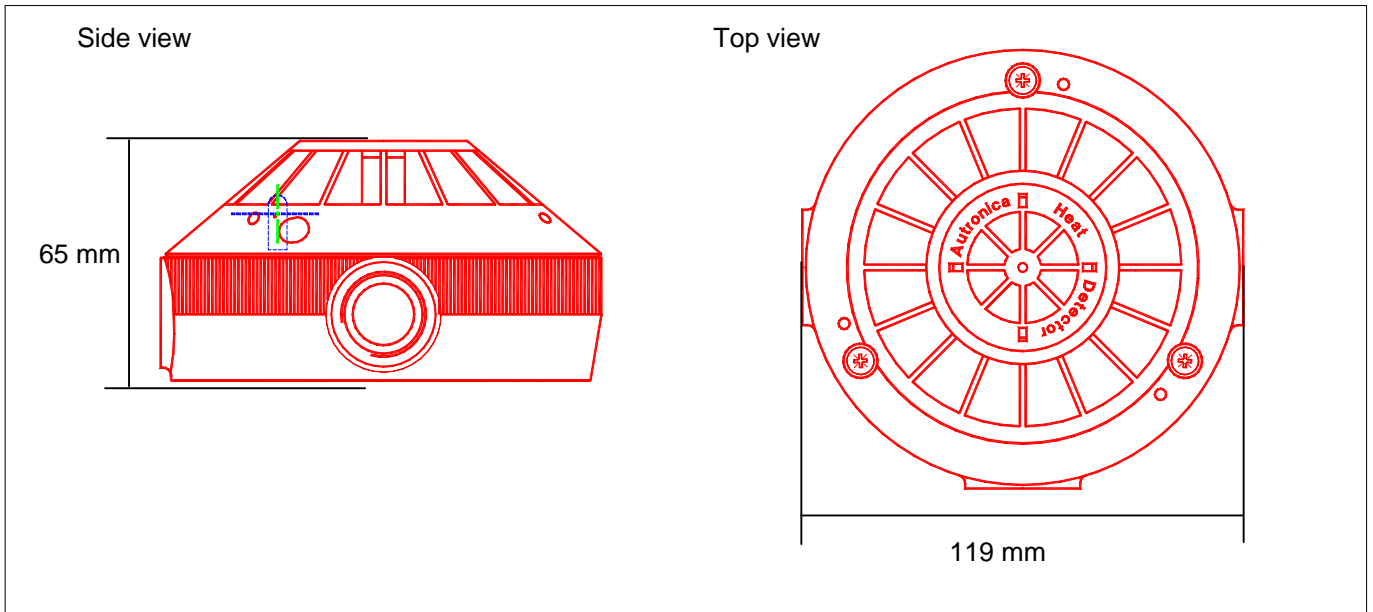


Table 1

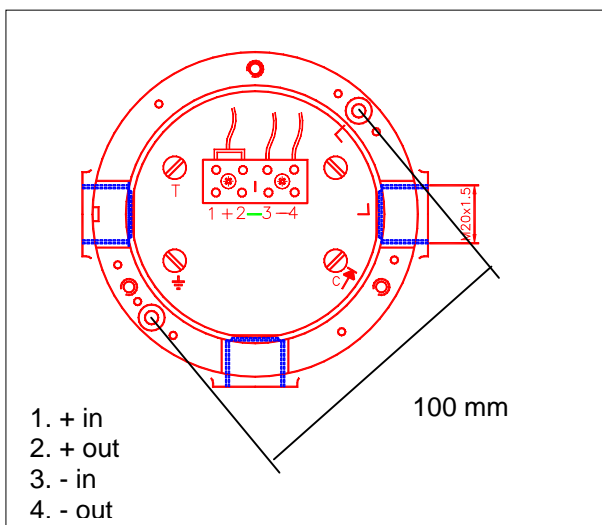
Detector class	Typical application temperature °C	Maximum application temperature °C	Minimum static response temperature °C	Maximum static response temperature °C
A1	25	50	54	65
A1R*	5	50	54	65
A2S*	25	50	54	70
B	40	65	69	85
C	55	80	84	100

* R= Rate of rise.

* S= (Slow) Does not respond below the minimum static response temperature.

Note: The detector may give prewarning on a temperature below the max. application temperature.

Connections



Part number	Description
116-BD-501	Detector, complete
116-BD-501/N	Detector, complete. Eexn version for use in zone 2 only

AUTRONICA FIRE AND SECURITY AS

Head office, NO-7483 Trondheim, Norway Tel: +47 73 58 25 00, fax: +47 73 58 25 01, e-mail: info@autronicafire.no
 Oil and Gas division, Stavanger, Norway Tel: +47 51 84 09 00, fax: +47 51 84 09 99
 Maritime division, Spikkestad, Norway Tel: +47 31 29 55 00, fax: +47 31 29 55 01

Visit Autronica Fire and Security AS' website: www.autronicafire.com