

Information Panel BV-210

Autroprime Interactive Fire Detection System
Product datasheet

Features

- User-friendly display and operator controls
- Back-lit operational keys. Text display suitable for night-time operation
- Surface mounting
- Designed to meet EN 54 requirements and conforms to CE standards
- Complies with environmental conditions of IEC-721-3-3 class 3k5

Application/Description

From the Information Panel BV-210 all alarm handling and system events can be monitored. The most significant events/conditions are shown in the display.

The BV-210 communicates with the Fire Alarm Control Panel BS-200, Repeater Panels BS-211, Fire Brigade panels, other Information Panels BV-210 and Mimic Driver BUR-200 on an RS-485 Panel Bus.

Indicators

- 8 x 40 character alphanumeric display
- Alarm, More Alarms, Pre-Alarm, Remote Call, Remote Call Response, Fault, Disabled Function, Supervisory Condition, Test Condition, System Fault, Power
- Internal buzzer

Operator Controls

- More Events, Mute Panel



Capacity

- A maximum of 8 additional panels (including Repeater Panels/Information Panels/Fire Brigade panels) can be connected to the Fire Alarm Control Panel via the RS-485 Panel Bus. One of them can be a Mimic Driver BUR-200.

Panel Bus Connection (connector J13 and J14)

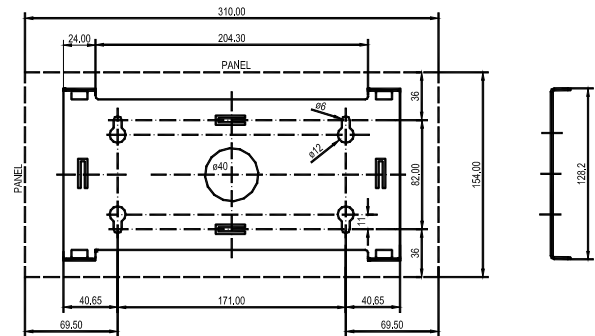
J14							J13						
+24V in1	0V in1	+24V in2	0V in2	A1	B1	GND	+24V in1	0V in1	+24V in2	0V in2	A2	B2	GND
Panel Bus In							Panel Bus Out						

Addressing the Panel

The rotary switch on the rear side of the panel (on the left side of the connector J13 and J14) is used to address the panel (1-9).

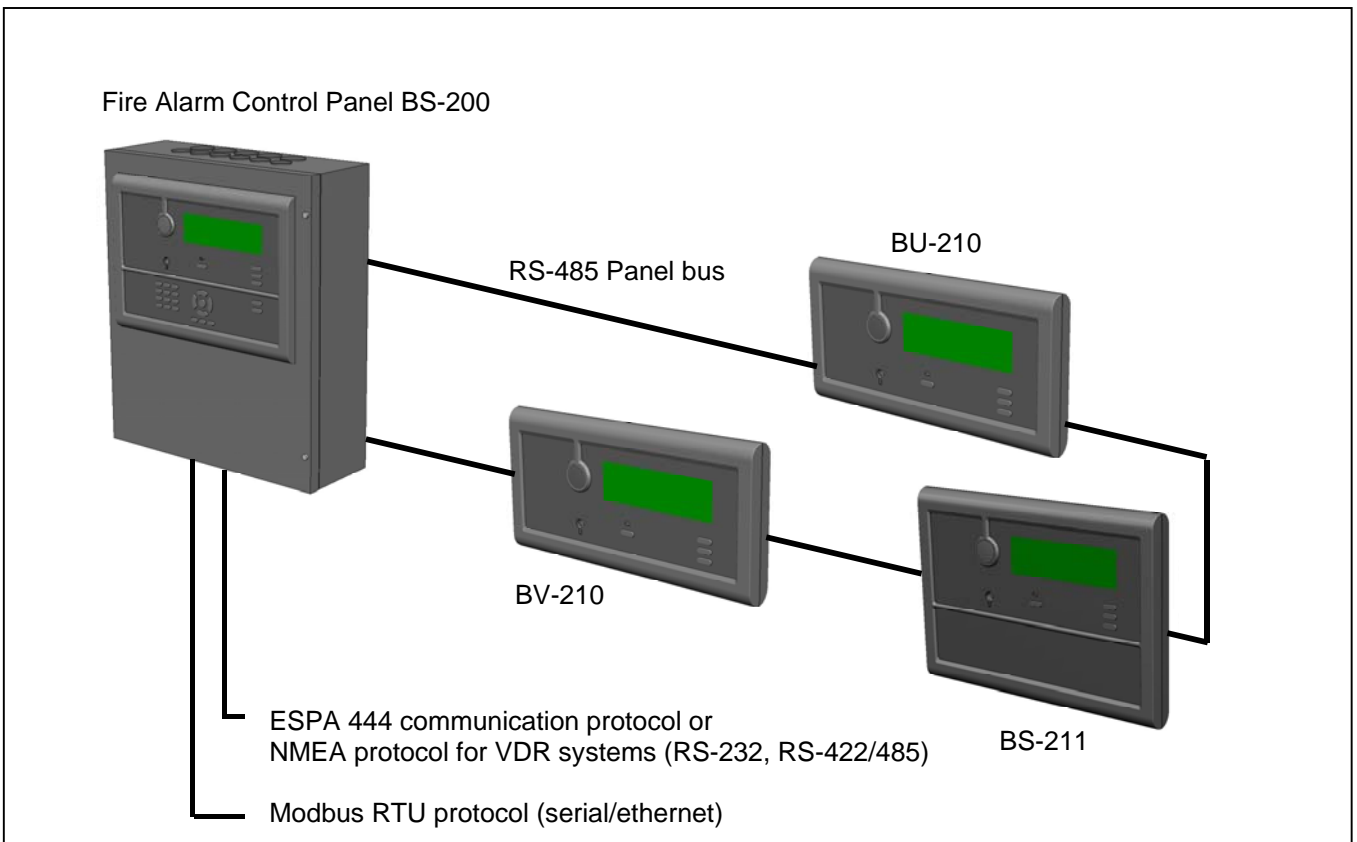
Technical specifications	
Dimensions (mm)	310 x 154 x 45
Weight	0,7 kg
Materials	ABS/PC moulded front
Mounting	Surface or rack mounting
Protection class	IEC-529 / IP32
Operating temperature	- 15 °C to + 70 °C
Storage temperature	-40 °C to + 70 °C
Humidity	0 to 95% non-condensing
Current consumption	20 mA at 27 VDC, 300 mA at lamp test (start-up)
Power supply	18-30 VDC
Communication	RS-485 Panel Bus (redundant power bus)

Hole dimensions on mounting bracket



Part number	Description
116-BV-210	Information Panel BV-210
116-UD-731	Wall mount bracket

Panels interconnected on the RS-485 Panel Bus



AUTRONICA FIRE AND SECURITY AS

Head office, Trondheim, NO-7483 Norway Tel: +47 73 58 25 00, fax: +47 73 58 25 01, e-mail: info@autronicafire.no
 Oil and Gas division, Stavanger, Norway Tel: +47 51 84 09 00, fax: +47 51 84 09 99
 Maritime division, Spikkestad, Norway Tel: +47 31 29 55 00, fax: +47 31 29 55 01

Visit Autronica Fire and Security AS' website: www.autronicafire.com