

Input unit with SelfVerify - BN-300M

AutoSafe interactive fire detection system
Product datasheet

Features

- Interactive
- Configurable input
- Interface unit for interfacing external units, clean contacts, alarm relays etc. onto AutoSafe system
- Monitored input
- Short circuit isolator in each unit
- Automatic addressing
- Proven technology
- Intended for connection to Autronica's interactive alarm system AutoSafe
- Approved according to EN 54 and FM
- Conforms to CE standards

Applications

BN-300M input unit is used to interface different types of signal devices of ON/OFF type onto the AutoSafe detector loop.

The unit has been designed for use with Autronica's interactive fire alarm system, AutoSafe, and comprise the SelfVerify function.

The function ensures the highest grade of reliability and reduces the need for manual testing, because all units comprises this function are automatically checked once every 24 hours.

Application includes:

- Alarm push-buttons
- Detectors with relay contacts
- Sprinkler contacts, etc.

Principle

Monitoring of input signal level. Can be configured to operate at different levels:

- Normally open contact. Closing of contact (short-circuiting of input) will give alarm. Monitored for open circuit
- Normally open contact with alarm resistor. Closing of contact (910 Ohm on input) will give alarm. Monitored for open and short circuit on input

Note:

Cannot be used with conventional heat detectors or any unit requiring working voltage.

“**SelfVerify®**”, the ability to initiate alarm signal is regularly checked.



Versions

- BN-300M Input unit with SelfVerify®. For mounting on TS-35 rail

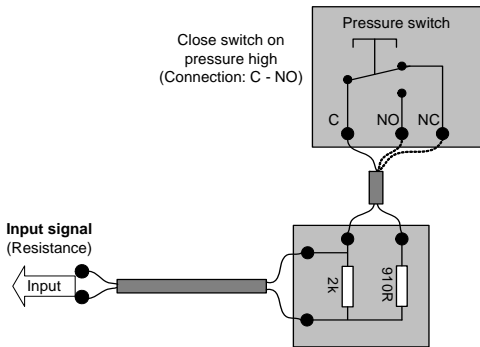
Technical specifications	
Weight	175 g
Dimensions (HxWxD)	107 x 22,5 x 75 mm
Description	BNB-300/32 unit mounted inside a plastic house. Screw terminals for connections to internal unit.
Material	Thermo plastic
Colour	Green
Input function	Configurable
Max. capacitance on input	30 nF
Voltage	10 - 27V DC
Current consumption: Stand by	0,3mA
Environm. requirement	EN 54-5/7
Degree of protection:	IP50
Working temperature	- 20 - + 70°C
Humidity (non condensing)	Max. 95% RH
Maintenance	None
Service	Replace if faulty
Approvals	See separate documentation



Part number	Description
116-BN-300M	Input unit for TS-35 rail mounting, complete
116-BNB-300/32	Input unit without Junction Box, spare part

Application Example

Monitoring of pressure switch with alarm resistor (910R) and EOL resistor (2K).



Connections

/	/	/	/	/	/
1	2	3	4	5	6

BNB-300/32

1. Pos (+) in

2. Pos (+) out

3. Neg (-) in

4. Neg (-) out

5. (-) Input

6. (+) Input

End Of Line (EOL) resistor on terminals 5/6 = 2 k.
Resistor in series with switch = 910R
Max distance to EOL = 100 m.

AUTRONICA FIRE AND SECURITY AS

Head office, Trondheim, NO-7483 Norway Tel: +47 73 58 25 00, fax: +47 73 58 25 01, e-mail: info@autronicafire.no
 Oil and Gas division, Stavanger, Norway Tel: +47 51 84 09 00, fax: +47 51 84 09 99
 Maritime division, Spikkestad, Norway Tel: +47 31 29 55 00, fax: +47 31 29 55 01