

Optical smoke detector with SelfVerify - BH-500/EXE

Interactive fire detection systems
Product datasheet

Declaration of conformity and instructions

Features

- Interactive
- Comprises the DYFI+ adaptive and self learning function
- With SelfVerify function for reduced maintenance/testing and increased reliability
- Selective to misleading environmental phenomena that in a traditional system would lead to an unwanted fire alarm
- Detection of visible smoke
- Built in thermistor for reading of temperature at the detector point
- Short circuit isolator in each detector
- Automatic addressing
- Proven technology
- Immune to electromagnetic disturbance
- Additional coating of PCB
- RIME approved
- Designed to meet the requirement of the major maritime classification societies

Applications

BH-500/EXE is a point smoke detector for use in hazardous area zone 1 or 2. The detector has a built in thermistor and is designed for use with Autronica's interactive fire detection systems, which can provide temperature information from the detector point. The SelfVerify function ensures the highest grade of reliability because all units comprising this function are automatically tested with a calibrated test once every 24 hours.

Additional coating of PCB combined with the adaptivity of BH-500/EXE, is making this detector suitable for maritime, applications.

The BH-500/EXE detector is tested by RIME for increased safety "e", according to Japanese standards JIS F8009-1998 and JIS C0934-1993.

Principle

Photoelectric, operating on the light scatter principle.

SelfVerify: the detector's ability to initiate alarm at correct amount of smoke is regularly checked.

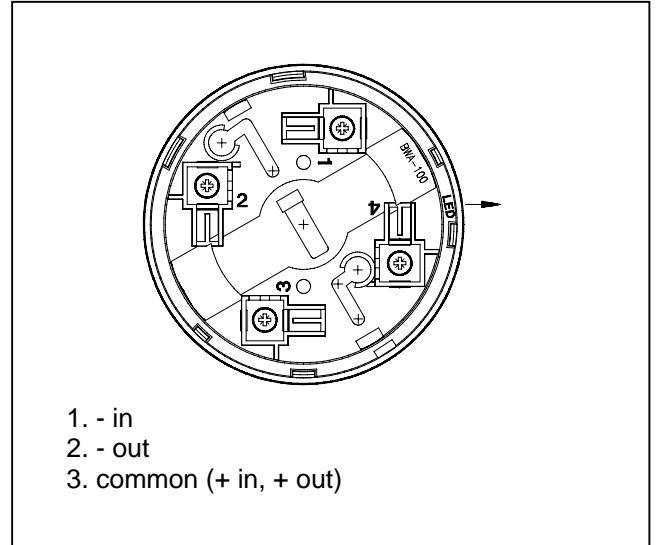


Technical specifications	
Weight	150 g
Material	Polycarbonate / ABS
Colour	Light grey
Sensitivity (BH-500/EXE)	Acc. to EN 54-9
Voltage	10 - 27 VDC
Current consumption Stand by:	< 0,3mA
Environm. requirement	EN 54-7
Degree of protection	IP44D
Working temperature	- 20 - + 70°C
Storage temperature	- 55 - + 70°C
Humidity (non condensing)	Max. 95% RH
Maintenance	None
Service	Replace if faulty
Certificates	See website
RIME certificates	DNV A-7762 NK 4EQ150N
Directives and standards	JIS F8009-1998 JIS C0934-1993 89/336/EEC (EMC) Emission: EN 90081-1: 1992 Immunity: EN 50130-4: 1995 EN 61000-6-2: 1999

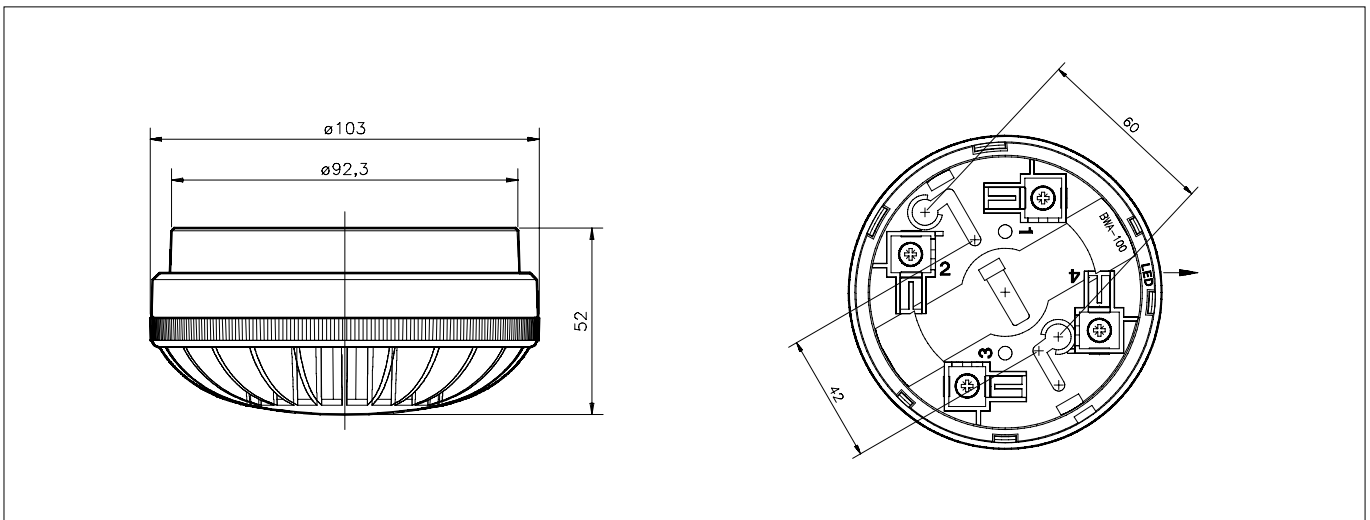


Part number	Description
116-BWA-100	Detector base
116-BHH-500/EXE	Detector head
116-BWP-100/20	Optional conduit box for M20 glands
116-BWP-100/25	Optional conduit box for M25 glands

Connections



Dimensions



AUTRONICA FIRE AND SECURITY AS

Head office, NO-7483 Trondheim, Norway Tel: +47 73 58 25 00, fax: +47 73 58 25 01, e-mail: info@autronicafire.no
 Oil and Gas division, Stavanger, Norway Tel: +47 51 84 09 00, fax: +47 51 84 09 99
 Maritime division, Spikkestad, Norway Tel: +47 31 29 55 00, fax: +47 31 29 55 01

Visit Autronica Fire and Security AS' website: www.autronicafire.com