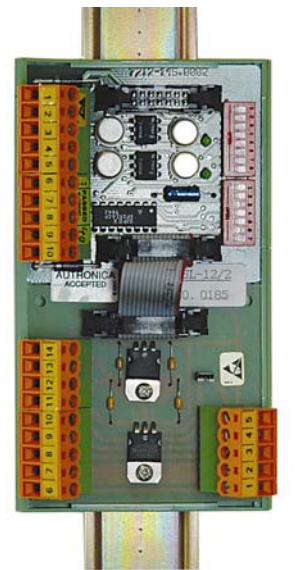


## Features

- Converts RS-232 serial communication to 20mA current loop communication
- Provides galvanic isolation between the RS-232 and current loop
- Equipped with bracket for DIN-rail mounting
- Connection via plug-in screwterminals
- Configurable transmitter and receiver via DIP-switches.
- Supplied with 24VDC power from the AutoSafe system panel (battery backup)
- LED indicator for transmitter and receiver
- Used for data communication between AutoSafe and BU-70/BU-100/BU-101 panels



## Description/Application

The RS-232/20mA Current Loop Converter BSL-12/2 is used to interconnect equipment that require RS-232 serial communication on one end and 20mA current loop communication on the other.

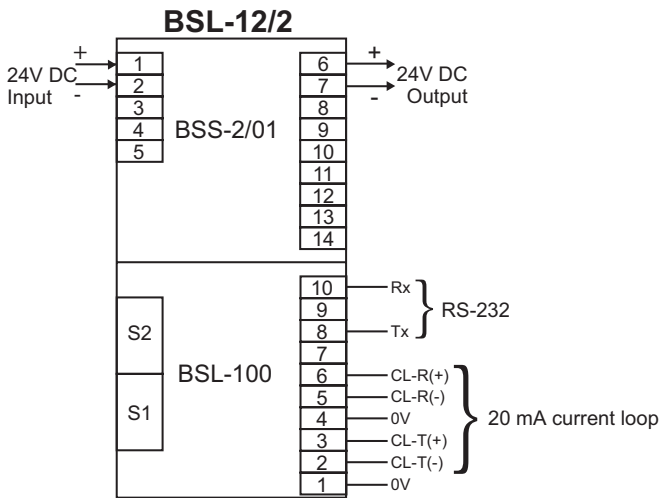
The converter is also used in cases where distances between the equipment exceed 10 metres. The maximum distance is 1200 metres.

Part number:	Description
116-BSL-12/2	RS-232/20mA Current Loop Converter BSL-12/2

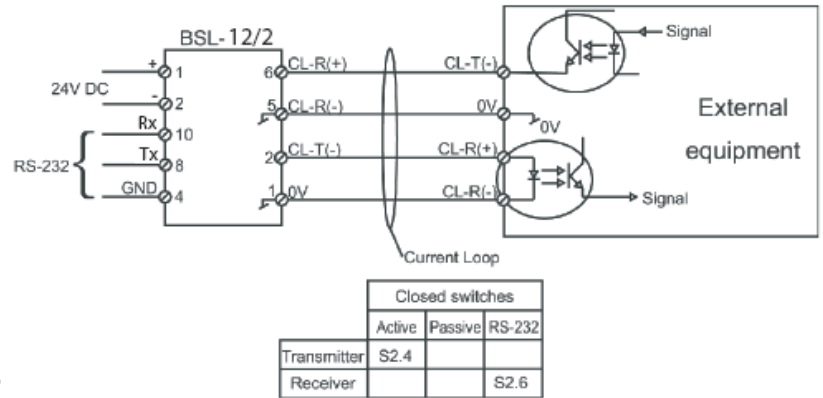
Technical specification	
Weight	210g
Dimensions (mm)	135x77,5x55 (LxWxH)
Materials	Printed circuit board with bracket for DIN-rail mounting
Data line communication	RS-232, fixed setup. 20mA current loop Configurable transmitter and receiver
Length of current loop	The recommended maximum length of the current loop is 1200 metres.
Cable Terminals	Plug-in screw terminals maximum 2.5mm <sup>2</sup> cable
Voltage	20 - 29V DC
Current Consumption	Typically 40-60mA @ 24V DC
Degree of protection	IP-00
Working temperature	-10 - +65°C
Storage temperature	-25 - +70°C
Humidity	10 - 95%, RH (non-condensing)



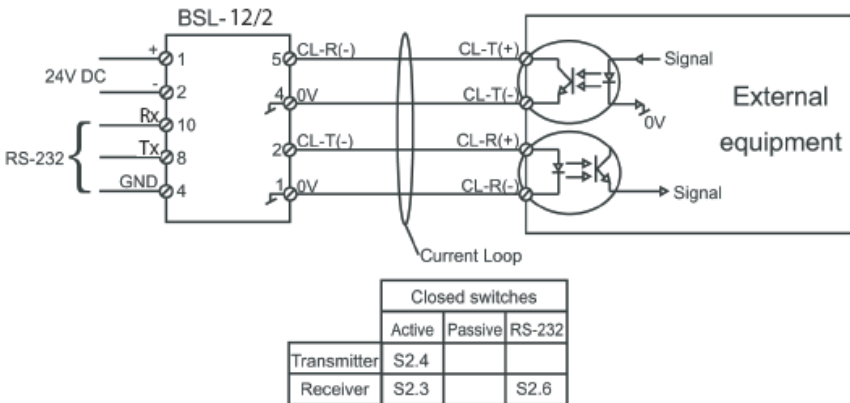
### Connections



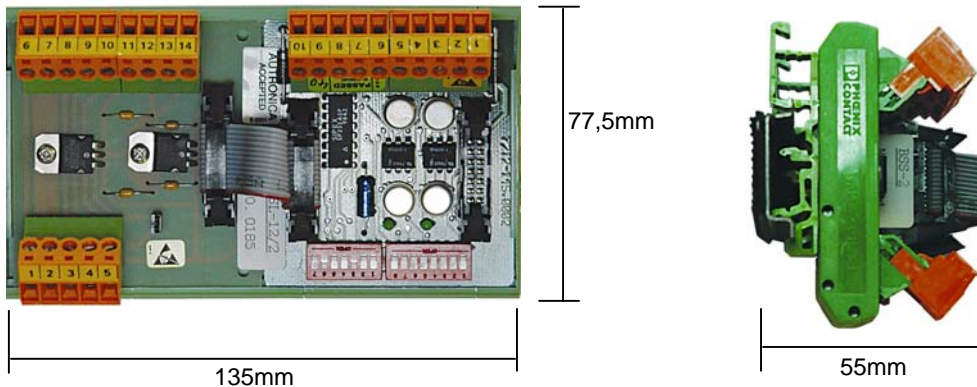
### Connection with active transmitter and passive receiver



### Connection with active transmitter and active receiver



### Mounting



### Autronica Fire and Security AS

Fire and Security, Trondheim, Norway. Phone: + 47 73 58 25 00, fax: + 47 73 58 25 01  
 Oil & Gas, Stavanger, Norway. Phone: + 47 51 84 09 00, fax: + 47 51 84 09 99  
 Maritime Sales, Spikkestad, Norway. Phone: + 47 31 29 55 00, fax: + 47 31 29 55 01