

Sprinkler control unit - BN-320/5

Interactive fire detection systems

Product datasheet

Features

- Interactive
- 1 monitored input
- Handles both normal open and normal closed flow switch
- Connected directly to the detection loop
- Loop powered
- Built in short circuit isolator
- Automatic addressing
- Proven technology
- With SelfVerify function for reduced maintenance/testing and increased reliability

Application / Description

The sprinkler control unit BN-320/5 is designed for use with the interactive fire detection system, and has a SelfVerify function. This function secures the highest degree of reliability and reduces the need for manual testing, because all units with this function are automatically checked once a day.

The unit is used for monitoring and control of sprinkler systems. If a local blackout of the sprinkler contact is desired, a BW-200 shut-off-switch is used together with BN-320/5. Both units are directly connected to the detector loop.

Principle

The unit has 1 monitored input monitoring the flow switch (input A). It can be configured to handle normal open and normal closed flow switch; this is achieved with Input B:

- Input B open: Normal open flow switch
- Input B shorted: Normal closed flow switch

An open circuit (loss of 2k on the inputs) gives fault warning.

Stable signal on input for time 1 gives prealarm.
Stable signal on input for time 2 gives fire alarm.
Times 1 and 2 are configurable by means of the configuration tool (0-127 seconds).

The unit has a built in short circuit isolator. In the event of a short circuit, the short circuit location will be isolated.

SelfVerify: the ability to initiate alarm signal is regularly checked.

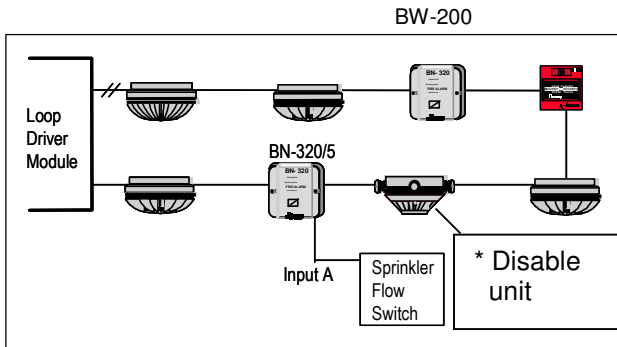


Technical specifications

| | |
|---|--|
| Weight | 175 g |
| Material | Thermo plastic |
| Colour | Light grey |
| Input | Max. cable resistance 30 Ω If the cable data is unknown, use max. 100 m cable. |
| Max. capacitance on input | 40 nF |
| Voltage, AICom (detection loop) | 10 - 27 VDC |
| Current consumption: Stand by | 0,3mA |
| Environm. requirement | EN 54-5/EN 54-7 |
| Degree of protection: Membr. inlets PG-inlets (PG-13,5) | IP54 IP67 |
| Working temperature | - 20 - + 70 °C |
| Humidity (non condensing) | Max. 95% RH |
| Maintenance | None |
| Service | Replace if faulty |
| Approvals | See Autronica's website |

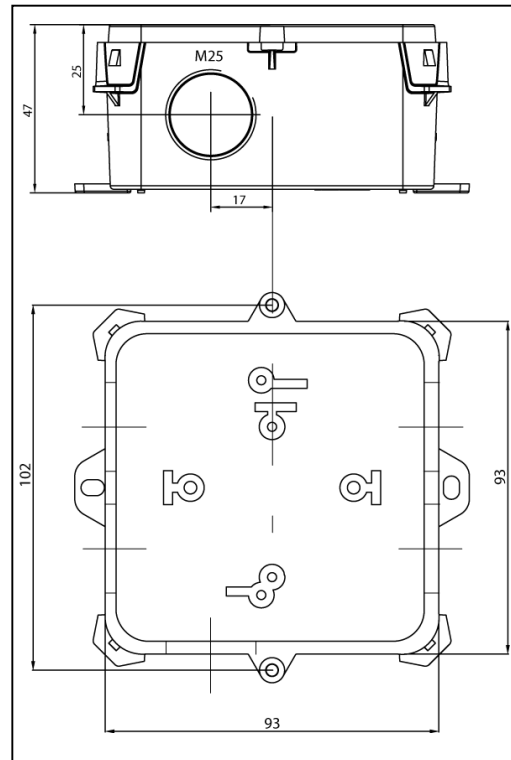
| Part number | Description |
|--------------|------------------------|
| 116-BN-320/5 | Sprinkler control unit |

Overview

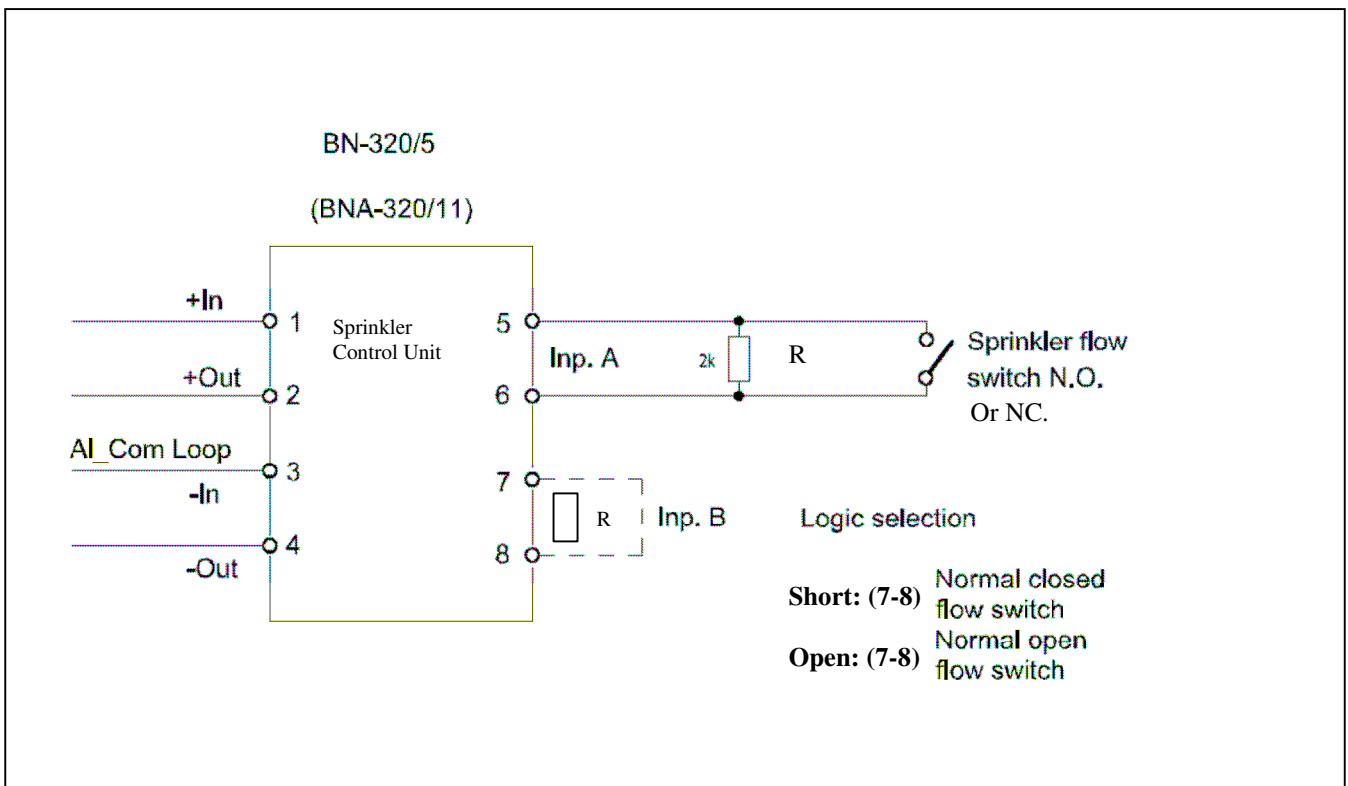


* BW-200 can be used as a local sprinkler disable unit.

Dimensions (mm)



Connections



AUTRONICA FIRE AND SECURITY AS

Head office, NO-7483 Trondheim, Norway Tel: +47 73 58 25 00, fax: +47 73 58 25 01, e-mail: info@autronicafire.no
 Oil and Gas division, Stavanger, Norway Tel: +47 51 84 09 00, fax: +47 51 84 09 99
 Maritime division, Spikkestad, Norway Tel: +47 31 29 55 00, fax: +47 31 29 55 01

Visit Autronica Fire and Security AS' website: www.autronicafire.com