

Manual call point with SelfVerify - BF-500V2/EX

Interactive fire detection systems
Product datasheet

Declaration of conformity and instructions

Features

- Automatic addressing
- Maximum 3-second response time
- Can be tested by means of a special testkey
- With the SelfVerify function
- Short-circuit isolator in each call point
- Designed to meet the requirement of the major maritime classification societies
- Approved according to EN 54-11 and EN 54-17

Applications

BF-500V2/EX is a manual call point for indoor use in hazardous area zone 0,1 or 2. It must be connected to the approved AutoSafe barrier BZ-500.

The call point is designed for use with Autronica's interactive fire detection systems, and comprises the SelfVerify function. This function ensures the highest grade of reliability and the lowest degree of manual testing because all units comprising this function are automatically self-tested once every 24 hours.

The call point must be installed according to local regulations, which normally means along escape routes, landings and exits.

Operating method

- Press white plastic element. Resettable by means of dedicated test key.
- Optional: Break glass element. Resettable by mounting new glass element.

SelfVerify: the call point's ability to initiate alarm is regularly checked.

Scheduled Drawing

No modifications permitted without acceptance from the Notified Body

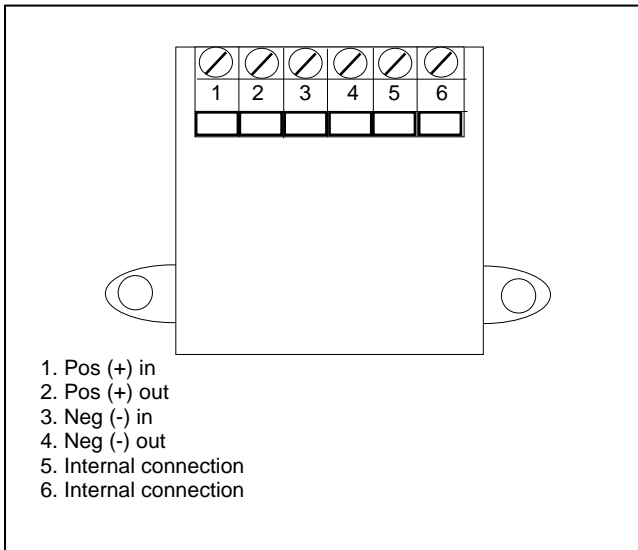


Technical specifications	
Weight	160 g
Material	ABS
Colour	Red
Voltage	Maximum 15,75 VDC
Current consumption, stand by	0,3 mA
Degree of protection	IP44D with optional polycarbonate cover IP42D without cover
Working temperature	-20 °C - + 70 °C
Storage temperature	-55 °C - + 70 °C
Humidity (non-condensing)	Max. 95 % RH
Service	Replace if faulty
CPD certificate	0333-CPD-075244
Notified body	Nemko-Oslo-Norway ID No. 0470
Type examination certificate	NEMKO 03ATEX218X IECEX NEM 11.0009X
Directives and standards	94/9/EC (ATEX) IEC 60079-0:2007 IEC 60079-11:2006 IEC 60079-26:2006 EN 60079-0:2009 EN 60079-11:2007 EN 60079-26:2007 2004/108/EC (EMC) Emission: EN 50081-1:1992 Immunity: EN 50130-4:1995 EN 61000-6-2:1999
Ex parameters	Ex II 1G Ex ia IIC T5 Ga U _i = 15,75V I _i = 63,5mA C _i = 21,6nF L _i = 0 P _i = 0,44W

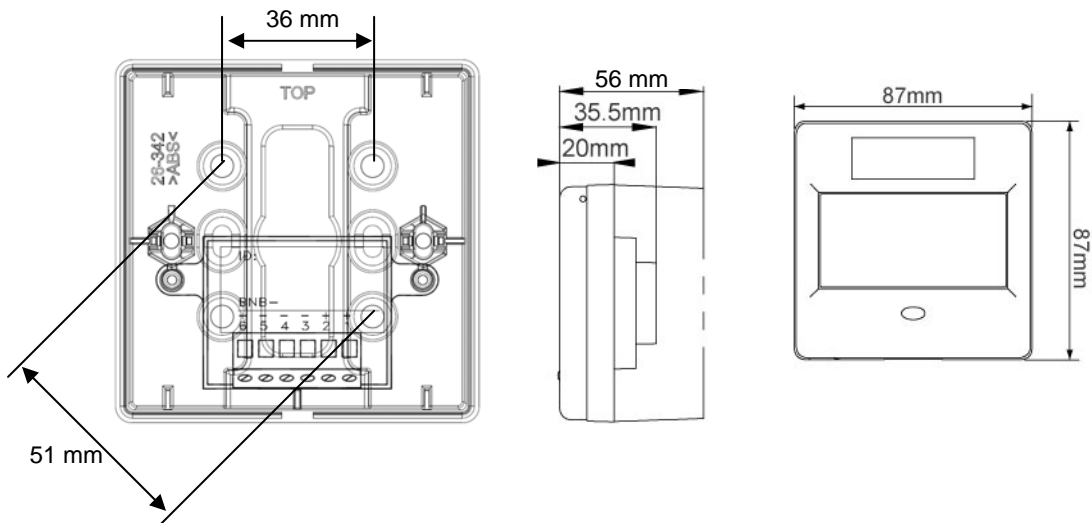


Part number	Description
116-BF-500V2/EX	Manual call point with SelfVerify
Accessories	
116-4860-011.0100	Polycarbonate cover
116-BFG-3	Glass element

Connections



Dimensions



Managing Director Mr. Frode Lund

AUTRONICA FIRE AND SECURITY AS

Head office, Trondheim, NO-7483 Norway Tel: +47 73 58 25 00, fax: +47 73 58 25 01, e-mail: info@autronicafire.no
 Oil and Gas division, Stavanger, Norway Tel: +47 51 84 09 00, fax: +47 51 84 09 99
 Maritime division, Spikkestad, Norway Tel: +47 31 29 55 00, fax: +47 31 29 55 01

Visit Autronica Fire and Security AS' website: www.autronicafire.com