

Manual call point with SelfVerify, weatherproof - BF-510WP-H

Interactive fire detection systems

Product datasheet

Features

- For outdoor use
- Weatherproof
- Degree of protection: IP52 (55)
- With SelfVerify function for reduced maintenance/testing and increased reliability
- Short-circuit isolator in each unit
- Maximum 3-second response time
- Automatic addressing
- Designed to meet the requirement of the major maritime classification societies
- Approved according to EN 54-11 and EN 54-17

Applications

BF-510WP-H is a manual call point for outdoor use. The call point has been designed for use with Autronica's interactive fire detection systems, and comprises the SelfVerify function. This function ensures the highest grade of reliability and the lowest degree of manual testing, because all units comprising this function are automatically self-tested once every 24 hours.

The high IP degree of the enclosure makes the call point suitable for outdoor applications.

The call point must be installed according to local regulations, which normally means along escape routes, landings and exits.

Operating method

- Press white plastic element. Resettable by means of dedicated test key.
- Optional: Break glass element. Resettable by mounting new glass element.

SelfVerify: the call point's ability to initiate alarm is regularly checked.

Installation

The backbox is provided with three knockouts for M20 cable glands, two at the top and one at the bottom.

Versions

- BF-300V2*
Manual call point with SelfVerify - standard version
- BF-510WP-H
Manual call point with SelfVerify, weatherproof – high current version

*see separate datasheet

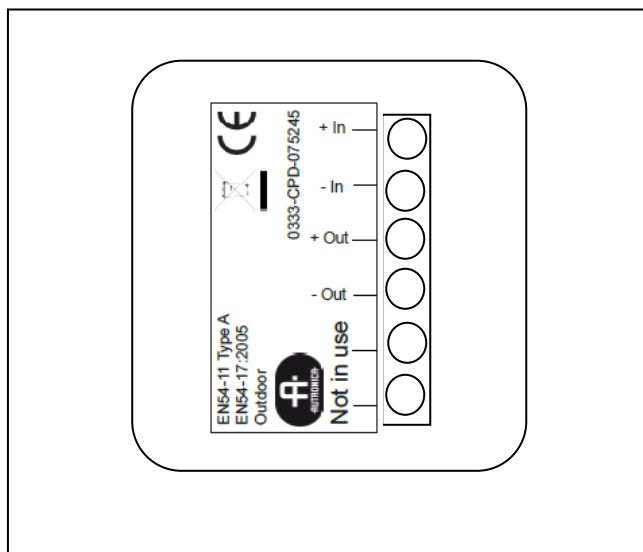


Technical specifications

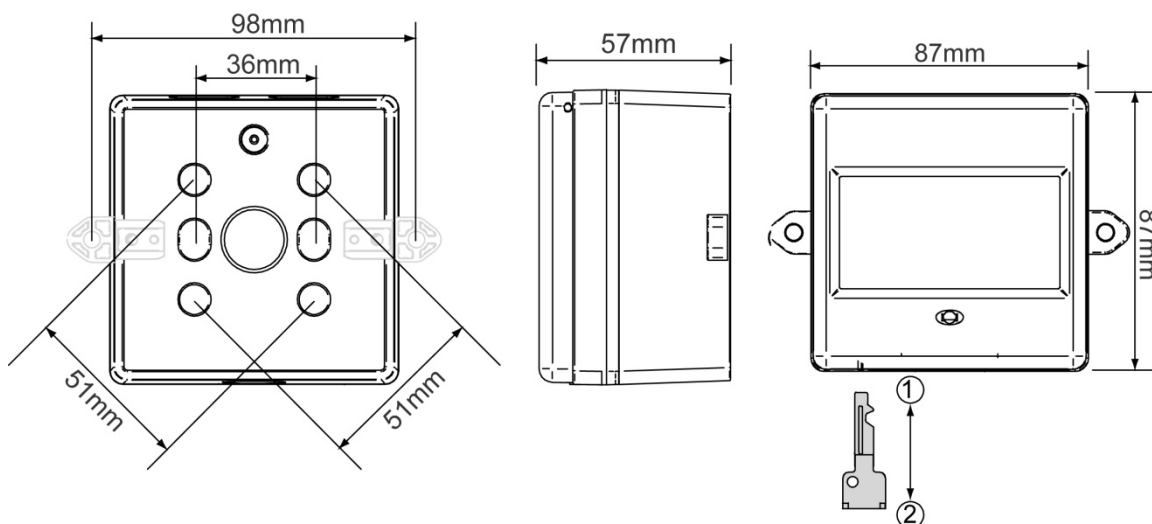
| | |
|--------------------------------------|---------------------------------------|
| Weight | 200 g |
| Material | ABS |
| Colour | Red |
| Voltage | 16 – 26 VDC |
| Current consumption Stand by: | 0,3mA |
| Maximum current on detection loop | 400mA |
| Environm. requirement | EN 54 |
| CPD certificate | 0333-CPD-075245 |
| Degree of protection | IP55 with cover IP52 without cover |
| Working temperature | - 40 to + 70°C |
| Storage temperature | - 55 to + 70°C |
| Cable inlets | 3 x M20 |
| Service | Replace if faulty |
| Approvals | See website |

| Part number | Description |
|--------------------|------------------------------------------------------------------|
| 116-BF-510WP-H | Manual call point with SelfVerify. High current, weatherproof |
| Accessories | |
| 116-4860-011.0100 | Polycarbonate cover (IP55) |
| 116-6571-011.1920 | Cable gland M20x1,5 |
| 116-6531-006.1920 | Gland back nut M20x1,5 |
| 116-BFG-3 | Glass element |

Connections



Dimensions



AUTRONICA FIRE AND SECURITY AS

Head office, NO-7483 Trondheim, Norway Tel: +47 73 58 25 00, fax: +47 73 58 25 01, e-mail: info@autronicafire.no
 Oil and Gas division, Stavanger, Norway Tel: +47 51 84 09 00, fax: +47 51 84 09 99
 Maritime division, Spikkestad, Norway Tel: +47 31 29 55 00, fax: +47 31 29 55 01

Visit Autronica Fire and Security AS' website: www.autronicafire.com