

Features

- Interactive.
- Interface unit for the Autronica BN-320/2 PS-XS Patrol System Control Unit.
- 2 inputs monitored for on/off function.
- With the SelfVerify® function on the inputs.
- Short circuit isolator in each unit.
- Automatic addressing.
- Proven technology.
- Intended for connection to the AutoSafe Fire Alarm System.
- Intended for connection to the AutoMaster 5000 Patrol function.
- Designed to meet the requirement of the major maritime classification societies.

Applications

The Autronica BN-320/PS-XS is designed for use in maritime installations.

The unit has been designed for use with the Autronica AutoSafe Fire Alarm System and comprises the SelfVerify® function. This function ensures the highest grade of reliability and reduces the need for manual testing, because all units comprising this function are automatically checked once every 24 hours.

The unit is also a vital part of AutoMaster5000s Patrol function. The operator activates the patrol function from the AM5000 workstation. The patrol begins, and at the checkpoint, the patrol activates the key operated switch.

The progress of the patrol is displayed in AM 5000s GIS display. An alarm is generated if the patrols are late.

The unit is powered by the AutoSafe detector loop.

Principle

The unit has a printed circuit board (BNA-320/06) with two (2) monitored inputs, and will occupy one address on the detector loop.

SelfVerify®, the ability to initiate alarm signal is regularly checked.



HB-300/WT

Composed of: BN-320/PS-XS
UD-713



HB-300

Composed of: BN-320/PS-XS
UD-712-T

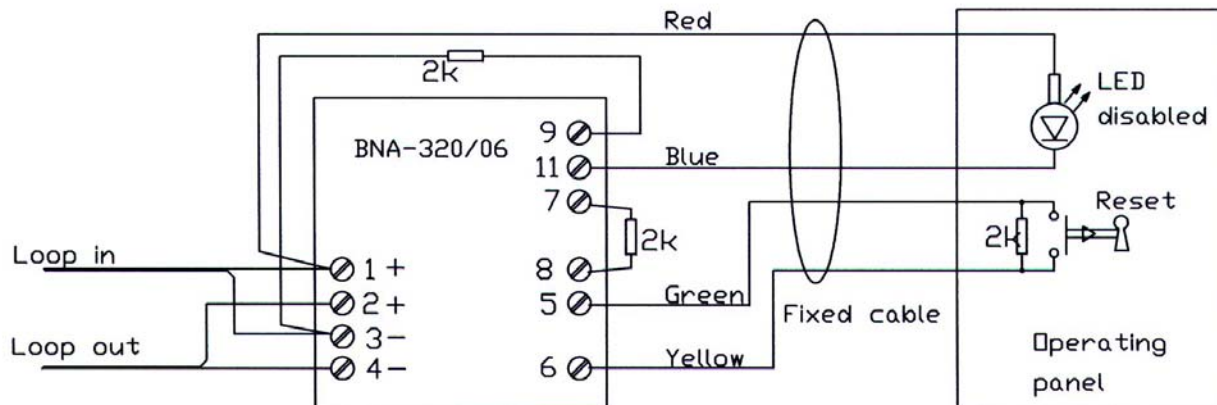
Configuration

The unit must be configured as a BN-320/2 with the Autosafe Configuration tool.

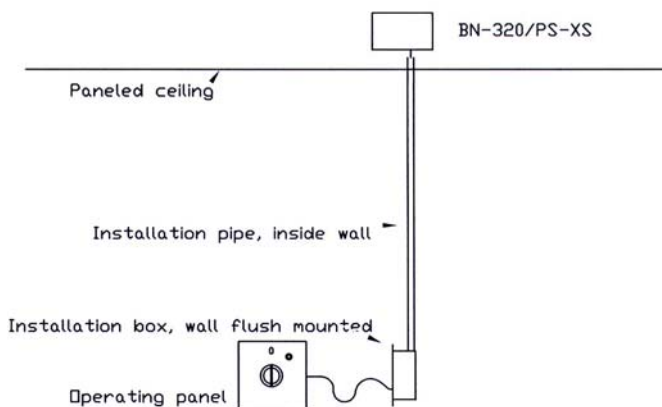
Filter times must be set as following:

Door Monitoring Time:	2
Door Close Time:	252
Door Closed Monitoring time:	252

Connections



Circuit board inside BN-320/PS-XS



Technical specifications	
Material	ABS (Acrylonitrile-Butadiene-Styrene) plastic
Colour	Light grey, RAL7035
Impact Resistance (DIN 53453)	9 kJ/m ²
Fire retarded	UL94-HB/3 mm
Temperature Resistant Method: DIN53461 A	74°C
Input function	Configurable
Output	Potential-free changeover contact. Maximum 1A/30VDC resistive
Voltage	AI_Com Loop
Current consumption: Stand by	0.3mA
Degree of protection: Plastic box	IP65
PG-inlets	IP68
Cable specifications Ø (mm)	PG16 (9-14), PG9 (3.5-8)
Working temperature	-20 to +70°C
Humidity (non-condensing)	Max. 95% RH
Maintenance	None
Service	Replace if faulty
Environmental Effect	Recycle-friendly (plastic without embedded metal)
Approvals	See separate documentation

Part number	Description
116-HB-300	Patrol system
116-HB-300/WT	Patrol system watertight

AUTRONICA FIRE AND SECURITY AS

Fire and Security, Trondheim, Norway Phone: +47 73 58 25 00, Fax: 73 58 25 01, e-mail: info@autronicafire.no
 Oil and Gas, Stavanger, Norway Phone: +47 51 84 09 00, Fax: +47 51 84 09 99
 Maritime division, Spikkestad, Norway Phone: +47 31 29 55 00, Fax: +47 31 29 55 01

Visit Autronica Fire and Security AS' website: www.autronicafire.com